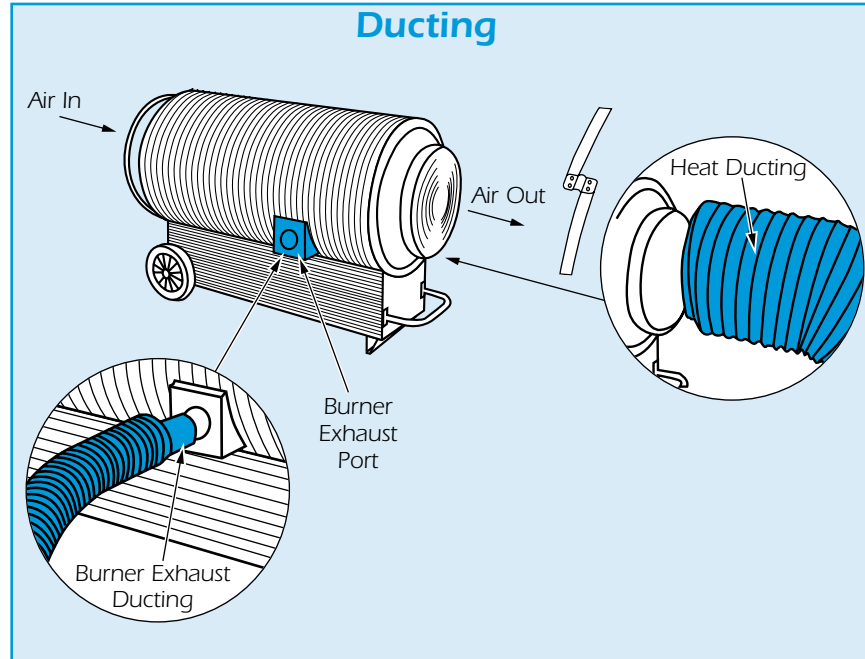


socket on the rear of the unit. See 'ELECTRICAL SAFETY' for voltage options.

DO NOT tamper with the fly leads and their plugs. Next, check the unit's ON/OFF voltage selector switch is set to OFF. Plug the heater into its power supply and switch the supply ON.

If operating the unit as an indirect type, attach the 100mm exhaust hose to the exhaust outlet on the right-hand side of the heater (see illustration).



An additional length of ducting can be attached to the burner air inlet to allow remote air supply for the burner. The use of this facility protects the work area from oxygen depletion.

Where the exhaust hose is not fitted, exhaust gasses from the heater are mixed with the hot air.

If using the hot air ducting, fit the ducting over the heat outlet and secure in place with the worm-screw clip.

BASIC TECHNIQUES

Open the cylinder valve, then move the ON/OFF voltage selector switch to the respective voltage being used.

The RED lamp will illuminate to indicate that the unit is switched ON. **Once the gas has ignited, the amber lamp will illuminate.**

If the gas fails to ignite within 10 seconds, **the system will shut down** as a safety precaution, (this will also occur if the unit runs out of gas).

When first set up, the unit may shut down two or three times in a row, this is quite normal as the gas hose will initially be full of air.

Safety Cut-Out

This heater is fitted with a safety cut-out system which shuts OFF both the gas and the voltage supply if the heater is tilted. Once tripped, the heater will need to be switched OFF and then restarted by switching ON again.

If the unit does shut down simply set the ON/OFF switch to OFF then back to the ON position until the unit fires.

The heater will automatically start and stop as the thermostatic control clicks in and out.

When the heater is no longer needed, switch OFF the gas by closing the cylinder valve then switch the unit OFF.

EQUIPMENT CARE

Never use a heater except for its intended purpose, If it will not do what you want, assume you have the wrong equipment for the job. Contact your local HSS Hire Shop for advice.

Only use the heater for the purpose it was designed for, improper use may cause expensive damage and could be dangerous.

Keep the equipment clean. You will find this less of a chore if you clean it regularly, rather than wait until the end of the hire period.

Handle gas bottles with care. Any protective plugs supplied must be

fitted to the valve when not in use.

When not in use, **store the equipment somewhere clean, dry and safe** from thieves.

Remember, propane regulators have a reverse thread, turn them anti-clockwise to tighten, clockwise to undo. **When not in use and to avoid damaging the thread, always fit the regulator with its protective cap.**

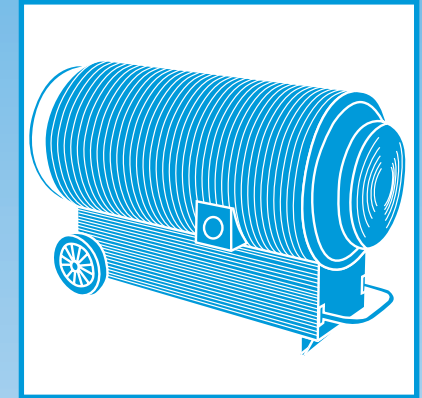
FINISHING OFF

Turn OFF the gas supply at the cylinder's valve, **switch the unit OFF then disconnect the gas regulator from the cylinder.**

Disconnect the heater from its power supply then neatly coil all hoses and cables.

Give the unit a final clean up ready for return, to your local HSS Hire Shop.

HSS Hire Shops



LPG Indirect Heater

An LPG fired forced air heater with the option of indirect control and heat ducting.



...any comments?

If you have any suggestions to enable us to improve the information within this guide please fax your comments or write to the Product Manager at the address below
Fax: 020 8687 5001

©HSS Hire Service Group Plc 2003 No. 390/01

Group Office: 25 Willow Lane, Mitcham, Surrey CR4 4TS

Web Site: <http://www.hss.com>



Code 56680/88/89

GENERAL SAFETY

Rules and Regulations

Please note that the use of and storage of LPG gas cylinders is governed by specific legislation and/or regulations.

Make sure you are fully acquainted with any rules that may apply and abide by them.

If in doubt, contact your local HSS Hire Shop.

For advice on the safety and suitability of this equipment contact your local HSS Hire Shop.



There is a serious risk of personal injury if you do not follow all instructions laid down in this guide.

The hirer has a responsibility to ensure that all necessary risk assessments have been completed prior to the use of this equipment.

This equipment should only be used by an operator who has been deemed competent to do so by his/her employer.

This equipment should be used by an able bodied, competent adult who has read and understood these instructions. Anyone with either a temporary or permanent disability, should seek expert advice before using it.

Keep children, animals and bystanders away from the work area. Cordon off a NO GO area using either cones, barriers or tape, available for hire from your local HSS Hire Shop.

  Never use this equipment if you are ill, feeling tired, or under the influence of alcohol or drugs.

 This equipment is heavy (82kg), never attempt to lift it on your own, always get help.


Never lift or move this equipment by its power supply cable, gas hose or ducting.

Always switch OFF and unplug the equipment and isolate it from the gas supply when not in use.

Ensure the work area is well lit and ventilated, if in doubt, ask about lighting and ventilation equipment at your local HSS Hire Shop.

Keep combustible materials at a safe distance - at least 5m.

Make sure you know how to switch this machine OFF before you switch it ON in case you get into difficulty.

 Gas cylinders are heavy, never attempt to lift a cylinder, full or empty, by yourself, always get help.

Suitable gloves should be worn when handling this equipment.

This guide should be read in conjunction with Operating & Safety Guide No 545 (LPG Safety), available from your local HSS Hire Shop.

The heater requires a supply cylinder of 47kg, do not use a smaller cylinder.

Never place anything on top of a heater and never obstruct its air vents. Leave a 1m gap all round to let air circulate.

Keep gas cylinders upright at ALL times, during use, transporting and when stored. Don't drop or knock them, as damaged cylinders can be dangerous.

Safety Cut-Out

The HSS LPG Indirect Heater is fitted with safety devices which turn it and the gas supply OFF if something goes wrong, for example, if it overheats, if the power supply fails or the flame gets blown out.

If a cut-out trips, find out why and correct the problem before attempting to turn the heater ON again.

If in doubt, contact your local HSS Hire Shop.

Gas Safety

Propane gas is highly inflammable. It is also heavier than air, increasing the risk of explosion in the event of a leak.

ALWAYS double-check all gas supply connections for leaks (smear them with an approved leak detecting fluid and look for bubbles).

ALWAYS handle gas cylinders, hoses and connectors with care.

ALWAYS store cylinders in a cool, safe place: away from heat and ignition sources and away from drains and other places where leaked gas could collect.

NEVER smoke or allow naked lights into the area while changing gas cylinders.

NEVER test for leaks with a naked light!

Never leave the unit running and unattended.

Make sure that everyone is warned of what you are doing.

Check the condition of the equipment before use. If it shows signs of damage or excessive wear, return it to your local HSS Hire Shop.

COSHH information sheets are available from your local HSS Hire Shop.

ELECTRICAL SAFETY

The HSS LPG Indirect Heater can be operated from either a standard 230V 13amp earthed power supply or a 110V 16amp generated supply, (or powered from the mains via a suitable 110V transformer).

The power supply cable is a separate item and must be connected to the heater before use. If you have specified a 230V model, the power supply cable will be blue and fitted with a 13A plug and a 16A connection socket which must only be fitted to the blue socket at the rear of the heater.

Where you have specified 110V, the lead and its connectors will be yellow and must only be fitted to the yellow socket at the rear of the heater.


Whichever voltage you are using, make sure the voltage selector switch is set to the correct voltage.

If the equipment fails, or if its power supply cable or plug becomes damaged, return it. Never try to repair it yourself.

Only use suitable three core earthed extension leads to power this equipment.

Keep cables out of harm's way, and clear of the work area. Extension leads should be fully unwound and loosely coiled, away from the equipment. Never run them through water, over sharp edges or where they could trip someone.

Keep the equipment dry, using electrical equipment in very damp or wet conditions can be dangerous.

 To reduce the risk of electric shock, always use a suitable RCD (Residual Current-Operated Device) available from your local HSS Hire Shop. Or power the equipment from a mains circuit with a built in RCD.

Ensure the machine and power socket are switched OFF before plugging into the power supply.

FROST WARNING

Liquid gas can cause severe 'freeze burns' so avoid skin contact by wearing gloves when making connections.

This cooling effect may also result in the formation of frost around cylinder connections. Having satisfied yourself that this is not due to a leak, you can ignore it or wipe it off with a cloth.

Never apply heat to the cylinder or equipment.

Alternatively, reduce frosting by supplying the heater from two or more cylinders connected via suitable couplings, available from your local HSS Hire Shop.

GETTING STARTED

Set the equipment up on firm level ground capable of bearing its weight and the weight of a full cylinder of gas.

Site the unit away from areas where there may be a lot of traffic (the entrance for example).

Ensure there will be an adequate flow of fresh air to the unit.

If using the onboard thermostat, set the thermostatic control to the desired temperature and set the stat selector switch to 'local stat'.

If using a remote thermostat, plug its lead into the 'remote stat' socket. Set the thermostatic control to the desired temperature and set the stat selector switch to 'remote stat'.

You can now connect the gas supply. To do this, screw the gas regulator onto the propane cylinder's valve, turning it anti-clockwise to tighten (it has a reverse thread) and tighten up with the spanner provided.

You must now open the cylinder valve and check for leaks.

If you are sure that there are no leaks, close the cylinder valve.

Depending on which voltage you are using, plug the fly lead supplied with the heater into the respective

Gas Leaks

If You Suspect a Gas Leak...

Tell everyone in the vicinity to turn off or put out anything that could ignite the gas, unless this involves operating electrical switches (most generate a tiny spark).

Open doors then take all gas cylinders outside and check that their valves are closed.

Test each valve for leakage before replacing its plastic cap and contacting your local HSS Hire Shop.

If a Lot of Gas has Escaped...

Evacuate the area and call the Fire Brigade.

