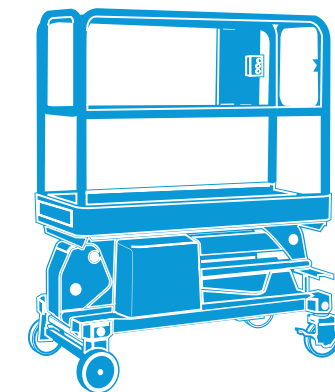


HSS Hire



POWER TOWER

Powered portable low level access tower, perfect for indoor light repairs, maintenance and installation tasks



Code 69908

In the event of complete power failure or machine fault, use emergency lowering valves as follows:

Remove blue **Powerpack cover**. Then **locate red knob** on Powerpack (image A) and **red button** on base of cylinder (image B). Lift and twist **red knob** (image A) **anti clockwise**, this will hold open the valve on the power pack, now **depress red button** (image B) on the cylinder to lower the platform. Allow the platform to **lower to a position where the operator can exit the platform** safely. Keep clear of descending structure. Return red knob (image A) to the closed position by turning **clockwise**.

BATTERY CHARGING

The **battery charger** is located under the **Powerpack** as indicated on the identifier diagram.

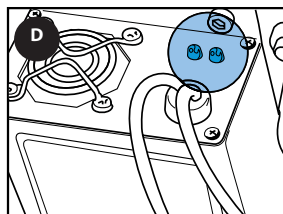
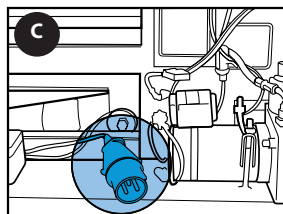
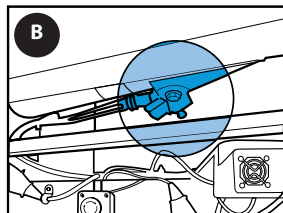
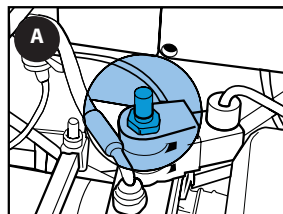
Under the cabinet is a **loose mains** supply lead for the battery charger (image C). This **lead** is normally **supplied with a 110v plug** one end a **Euro type plug** fitted at the other, which **plugs into the underside of the charger**. The **lead** can have fitted either a **110v or 230v AC** plug.

The **battery charger** is fully **voltage sensitive**, so there is **no voltage selection** to do when connecting to different voltages.

Plug into an available **power supply** and **ensure the green LED** (top of charger) illuminates (image D). The adjacent amber LED has three modes:

1. Rapid flash, which indicates **maximum charge rate**.
2. Slow pulse, indicating **slower charging**.
3. Continuous illumination indicating the battery is **fully charged**.
4. Additionally a 'Curtis' **battery condition meter** is provided which **gives an approximate indication of battery charge level**.

The battery charger can be **connected to a mains supply** at any time or left for extended periods. **It is not recommended** to use the machine whilst charging. All mains supply should be protected with a suitable RCD.



PRE-OPERATION CHECKLIST

1. Ensure there are no obvious signs of mechanical damage to the handrails, platform, lifting structure or chassis.
2. Check castors and wheels rotate freely and are undamaged.
3. Check castor wheel and castor fixings.
4. Ensure the battery (where applicable) is fully charged, referring to the battery condition meter.
5. Check the rise and lower functions work from both the platform and ground controls.
6. Ensure the hydraulic oil is at the correct level. Do not overfill.
7. Check there are no hydraulic oil leaks and that all hydraulic connections are tight.
8. Cordon off area around machine in accordance with guidelines.

OPERATING SPECIFICATIONS

WORKING DIMENSIONS

Maximum Working Height	5.10m
Maximum Platform Height	3.10m
Platform Dimensions	1.52 x 0.65m
Working Footprint	1.52 x 0.78m
Safe Working Load	250kg
No. Persons	1
Maximum Manual Force	200n
Maximum Gradient for Operation	0°
Maximum Wind Force	0mph (Indoor only)
Manual Push Force on Level Ground	9kg
Maximum Total Weight Inc Payload	565kg
Maximum Castor Point Load	285kg

CLOSED DIMENSIONS

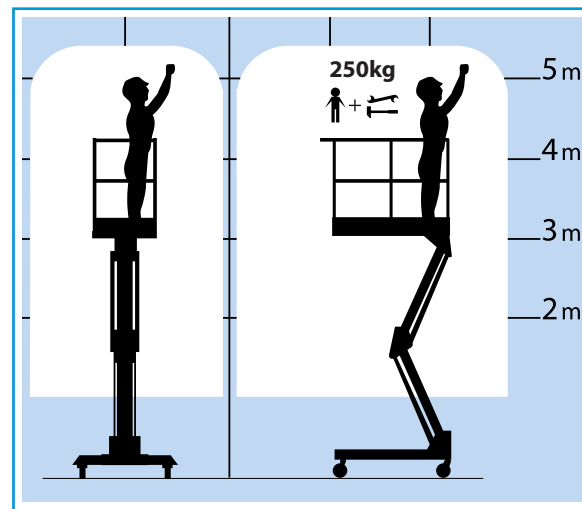
Length	1.52m
Width	0.78m
Height	1.92m
Weight	312kg

POWER SOURCE

Standard 12v DC Electric Motor
Or 240v AC Electric Motor 13A Supply
Or 110v AC Electric Motor 16A supply
Battery 12v 105A Traction

BATTERY CHARGER SPECIFICATION

Input Voltage	90-265v A.C.
Frequency	45-65 Hz
Output	12v DC, 7A



EQUIPMENT CARE

Never push the equipment beyond its design limits. If it will not do what you want with reasonable ease and speed, assume you have the wrong tool for the job. Contact your local HSS Hire for advice.

Keep the equipment clean, you will find this less of a chore if you clean it regularly, rather than wait until the end of the hire period.

When not in use, **store the equipment somewhere clean, dry and safe** from thieves and unauthorised users.

FINISHING OFF

Lower the cage and exit. Turn the unit off and as a safety precaution, press red STOP button.

Give the equipment a final clean up ready for return, to your local HSS Hire.



... have you been trained

The law requires that personnel using work equipment have received adequate training and must be competent when using the equipment within the workplace.
Training is available at HSS Training Solutions
0845 766 7799

...any comments?

If you have any suggestions to enable us to improve the information within this guide please e-mail your comments or write to the Safety Guide Manager at the address below
e-mail: safety@hss.com

©HSS Hire Service Group Ltd 2009 No. 392/01

Group Office: 25 Willow Lane, Mitcham, Surrey CR4 4TS

Web Site: <http://www.hss.com>

GENERAL SAFETY

For advice on the safety and suitability of this equipment contact your local HSS Hire.

There is a serious risk of personal injury if you do not follow all instructions laid down in this guide.

The hirer has a responsibility to ensure that all necessary risk assessments have been completed prior to the use of this equipment.

This equipment should only be used by an operator who has been deemed competent to do so by his/her employer.

This equipment is designed to be used by an able bodied, competent adult who has read and understood these instructions. Anyone with either a temporary or permanent disability should seek expert advice before using it.

Keep children, animals and bystanders away from the work area. Cordon off a NO GO area using cones and either barriers or tape, available for hire from your local HSS Hire.

Never use this equipment if you are ill, feeling tired, or under the influence of alcohol or drugs.

Wear practical, protective clothing, gloves, footwear and a protective hard hat. Avoid loose garments and jewellery that could catch in moving parts, tie back long hair.

Do not work near flammable gases or liquids, petrol or paint thinner fumes for example. Keep combustible materials at a safe distance – at least 5m.

Make sure you know how to switch this equipment OFF before you switch it ON in case you get into difficulty.

Make sure you know how to operate this equipment safely and are aware of its limitations before you use it.

Make sure that everyone is warned of what you are doing.

This machine is designed for internal use only. If working in a building which has large openings where wind gusts occur, DO NOT USE THE MACHINE.

The maximum number of occupants must not exceed one.

Never use the lift near overhead power lines or similar hazards.

Never exceed the equipment's safe working load of 250Kg.

Never operate the equipment alone. Ensure a competent adult is always within shouting range to operate the manual descent system or come to your aid if anything should go wrong.

Never use the Power Tower as a goods lift or crane.

Never try to move the Power Tower on its castors when elevated.

Never extend the height of the platform by using boxes, steps ladders etc.

Never modify the Power Tower in any way without the full approval of the manufacturer.

Never attempt to enter or exit the platform unless it is fully lowered.

Only use this equipment on firm, level ground capable of supporting its weight. DO NOT use it on slopes, soft ground or where there is a risk of subsidence.

Check the equipment's condition before use and at regular intervals thereafter. If it shows signs of damage or excessive wear, DO NOT USE IT. Return it to your local HSS Hire.

For additional information please refer to the manufacturer's operator's manual.

Pre-operation Inspection

It is the responsibility of the operator to perform a pre-operation inspection.

The pre-operation inspection is a visual inspection performed by the operator prior to each work shift.

The inspection must be performed before use of Power Tower (see Pre-operation Checklist).

ELECTRICAL SAFETY

Fire Warning

Batteries generate highly flammable and potentially EXPLOSIVE hydrogen gas when charging, so, until charging is over and the gas has dispersed...

ALWAYS stand the lift in a well-ventilated spot, preferably in the open air.

ALWAYS open the battery compartment cover. NEVER smoke or allow naked lights and other ignition sources into the area.

The HSS Power Tower is powered by 12v DC batteries. Always fully charge before use and recharge at regular intervals.

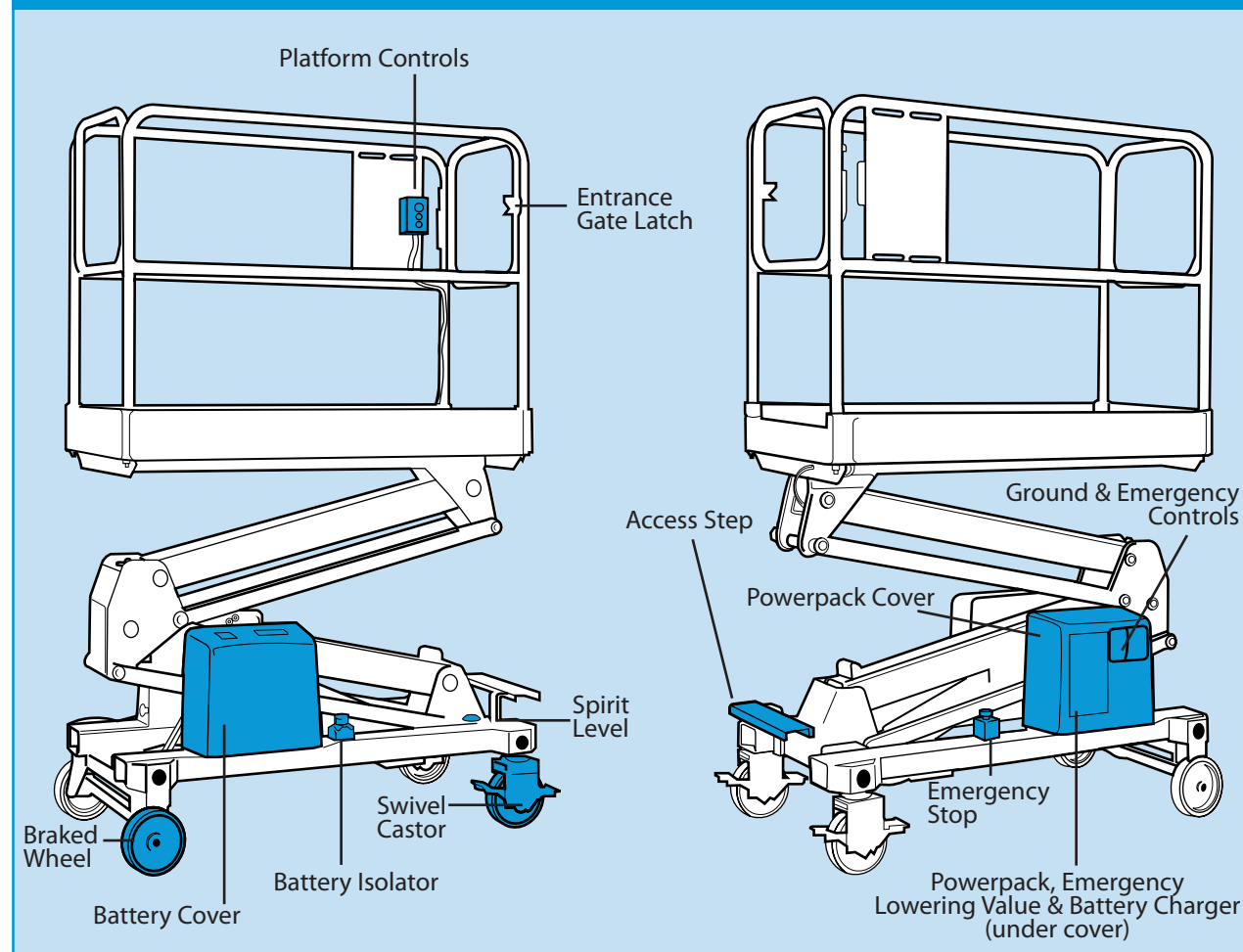
Never operate the lift when charging the battery.

After charging, switch OFF the power supply and disconnect the power supply lead from the charger. If the charger fails, or its power supply cable or lead becomes damaged, return the unit. Do not attempt to repair anything yourself.

Keep the charger dry at all times. Using electrical equipment in wet or damp conditions can be dangerous.

To reduce the risk of electric shock, always use a suitable RCD (Residual Current-Operated Device) available from your local HSS Hire.

IDENTIFIER



GETTING STARTED

The Power Tower is designed to be a simple, quick and safe powered alternative to a portable scaffold tower for construction site and maintenance applications.

The Power Tower is suitable for any application provided it is used within its specified operating parameters. If used for applications such as sand blasting, welding, paint spraying or with any other hazardous materials, measures must be taken to ensure the Power Tower does not become damaged in any way which may impair safety or reliability. Additional protection for the operator may be required in some cases, which is the responsibility of the operator.

It is essential to be familiar with the correct operating procedures. The operator must have adequate training for this type of Platform.

Before operating platform familiarise yourself with the work area, check for possible hazards such as potholes, ramps, slopes and overhead obstructions that could affect the safe use of the equipment.

The Power Tower is not fitted with a safety harness attachment point due to the low elevated platform height, and the wearing of such a harness may impede an operator's movement within the platform, leading to further hazards.

Operating procedures should be preceded with pre-operation checks (see Pre-operation checklist).

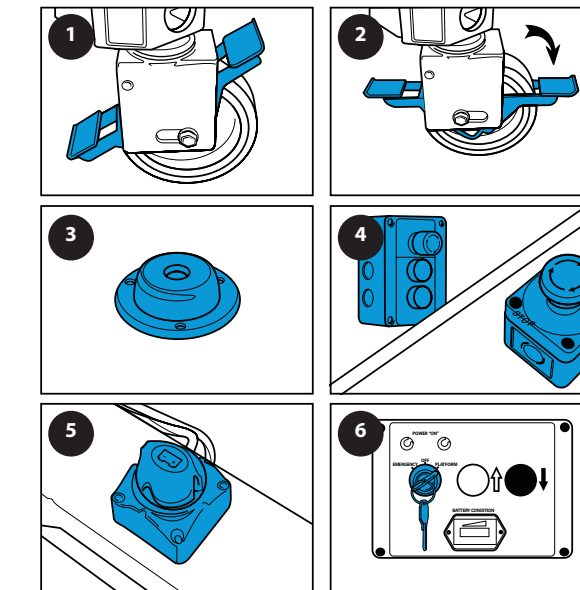
The operator must understand the Power Tower operation process which describes the way to use the equipment safely. You must familiarise yourself with the Emergency Operation in case of power failure or in the event of operator incapacity.

BASIC TECHNIQUES

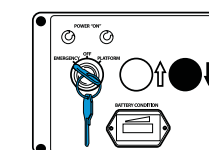
OPERATION PROCESS

Only use the Power Tower internally, on hard level surfaces. Ensure a person is available at ground level to assist in case of emergency.

1. Position machine under application. Refer to working envelope diagram if necessary.
2. Apply both castors brakes (images 1, 2).
3. Check spirit level to ensure machine is level (image 3).
4. Ensure the battery isolator switch is on and the emergency stop buttons are released (images 4, 5).
5. Turn key switch to "Platform" controls. LED should illuminate to indicate "Power on" (image 6).
6. Enter platform via step and gate and ensure the gate is closed and latched correctly when in platform.
7. Check there are no overhead obstructions; depress white button to elevate and black button to lower.
8. In case on uncontrolled platform elevation or descent, depress red emergency stop button.



EMERGENCY LOWERING OPERATION



In case of platform control failure or operator incapacity:

To lower the platform, switch key switch to "Emergency" position and left hand LED will illuminate. Depress black button to fully

lower the platform, from the ground control position.

Keep clear of descending structure.