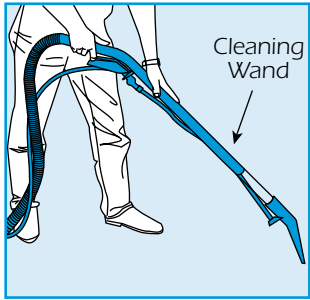


Testing For Colour Fastness

If the carpet has not been cleaned before, try cleaning a small area, not normally on view (under a sofa for example) to see if the colour is fast. In any case, take special care not to over-wet any part of the carpet or it could shrink.

Starting at the furthest corner of the room, draw the wand slowly backwards over the carpet, squeezing the trigger to expel a mist of cleaning solution.

Use overlapping strokes to treat about 1 sq. m at a time, lifting the cleaning head and releasing the trigger at the end of each stroke.



Avoid over-wetting the carpet or it could shrink. Never spray any part more than twice.

Go over the same area without squeezing the trigger to suck up any excess dirty water not recovered on the first pass.

Continue until no more water rises through the transparent tube from the cleaning head.

Shrinkage

Shrinkage can occur with any carpet if it is allowed to become over-wet and left for a period of time. The most common carpet type to shrink is hessian backed, these natural fibres shrink if soaked and left to dry naturally.

Then move on to tackle the next patch of carpet in the same way.

Working Practice

To avoid dirtying areas you have just cleaned, always work backwards, aiming to end at a convenient doorway. When you have finished cleaning, leave the carpet until it has completely dried.

If for some reason you have to walk on the carpet before it has dried, DO NOT wear shoes, slippers or socks. All may contain non-fast dye, which may permanently damage the carpet, ONLY walk on the carpet in clean bare feet.

The principles of upholstery cleaning are the same as those for carpet cleaning. However, do double check the colourfastness, and take extra care not to over wet the fabric (particularly on foam-filled upholstery).

If the machine stops spraying or if foam/liquid emerges from the exhaust, simply switch the machine OFF and unplug from its power supply. Empty the upper waste tank (see 'Finishing Off') and refill the lower clean water tank (see 'Getting Started').

Keep an eye on the waste tank water level and empty when about three quarters full. Disconnect the suction hose, lift off the tank and empty down a drain.

Carpets and upholstery that have been treated with a stain resistant protector will need to be re-treated, as cleaning will remove the treatment.

EQUIPMENT CARE

Never push the equipment beyond its design limits. If it will not do what you want with reasonable ease and speed, assume you have the wrong tool for the job. Contact your local HSS Hire Shop for advice.

Use only cleaning products supplied by HSS and follow the instructions on the containers (and the machine) for details regarding their use.

Keep the equipment clean - you will find this less of a chore if you clean it regularly, rather than wait until the end of the hire period.

When not in use, store the equipment somewhere clean, dry and safe from thieves with its clean water tank open to the atmosphere.

Protect this machine from frost and freezing conditions.

FINISHING OFF

With both vacuum and spray pumps switched OFF, disconnect the vacuum and solution hoses from the wand and insert the solution hose into the vacuum hose.

Switch the vacuum ON first, followed by the spray pump to suck any cleaning solution into the waste tank.

Once empty, switch OFF both pump and vacuum motor and disconnect the hoses from the machine.

Unplug the machine from its power supply and allow the hoses and the wand to drain.

The waste tank can now be unclipped and emptied into a drain. Swill out any residue with clean water.

Neatly coil the cable and place the hoses in their transport bag ready for return to your local HSS Hire Shop.



...any comments?

If you have any suggestions to enable us to improve the information within this guide please fax your comments or write to the Product Manager at the address below

Fax: 020 8687 5001

©HSS Hire Service Group Plc 2003 No. 690/02

Group Office: 25 Willow Lane, Mitcham, Surrey CR4 4TS

Web Site: <http://www.hss.com>

HSS Hire Shops



Domestic Carpet Cleaner

A medium duty machine, ideal for use in the home on carpets and upholstery.



GENERAL SAFETY

For advice on the safety and suitability of this equipment contact your local HSS Hire Shop.


There is a serious risk of personal injury if you do not follow all instructions laid down in this guide.

The hirer has a responsibility to ensure that all necessary risk assessments have been completed prior to the use of this equipment.

This equipment should only be used by an operator who has been deemed competent to do so by his/her employer.

This equipment should be used by an able bodied, competent adult who has read and understood these instructions. Anyone with either a temporary or permanent disability, should seek expert advice before using it.

Keep children, animals and bystanders away from the work area. Cordon off a NO GO area using either cones, barriers or tape, available for hire from your local HSS Hire Shop.

 Never use this equipment if you are ill, feeling tired, or under the influence of alcohol or drugs.

Wear practical, protective clothing, gloves and footwear. Avoid loose garments and jewellery that could catch in moving parts, tie back long hair.

Always store cleaning solutions in a safe place where they are not accessible to children.

Never lift or move this equipment by its power supply cable. Always switch OFF and unplug the equipment when not in use and before making adjustments to it.

Ensure the work area is well lit and ventilated, if in doubt, ask about lighting and ventilation equipment at your local HSS Hire Shop.

Make sure you know how to switch this machine OFF before you switch it ON in case you get into difficulty.

Never leave the unit running and unattended.

Make sure that everyone is warned of what you are doing.

Never operate electric cleaning equipment or electric switches with wet hands.

Never use HSS carpet cleaners to remove asbestos and similarly dangerous dusts.

Keep clear of the carpet cleaner's spray. Its chemical content, together with the fact that it is hot and under pressure, could hurt you.

Check the condition of the equipment before use. If it shows signs of damage or excessive wear, return it to your local HSS Hire Shop.

COSHH information sheets are available from your local HSS Hire Shop.

ELECTRICAL SAFETY

HSS Carpet Cleaners plug into a standard 230V 13amp earthed power socket.

If the equipment fails, or if its power supply cable or plug becomes damaged, return it. Never try to repair it yourself.

Only use suitable three core earthed extension leads to power this equipment. DO NOT use more than 1 extension lead.

Keep cables out of harm's way, and clear of the work area.

Extension leads should be fully unwound and loosely coiled, away from the equipment. Never run them through water, over sharp edges or where they could trip someone.

Keep the equipment dry, using electrical equipment in very damp or wet conditions can be dangerous.

To reduce the risk of electric shock, always use a suitable RCD (Residual Current-Operated Device) available from your local HSS Hire Shop. Or power the equipment from a mains circuit with a built in RCD.

Ensure the machine and power socket are switched OFF before plugging into the power supply.

GETTING STARTED

Clear the room of all furniture, if this is impractical, the furniture will have to be moved around as the work progresses. Tie up any long curtains that touch the floor.

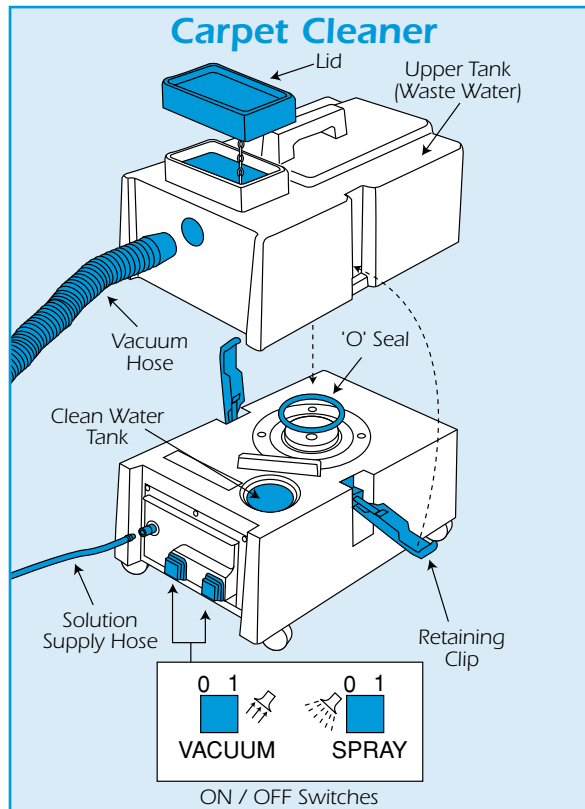
Vacuum the entire carpet and remove any bits left behind by the vac.

Create A Barrier

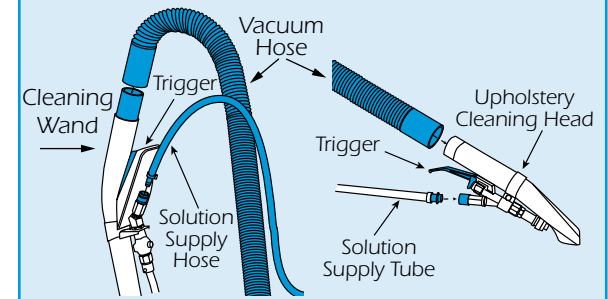
If furniture has to be left in the room, and manoeuvred as the work progresses, ensure you create a barrier (use clean plastic bags) between the carpet and legs or castors. This will stop staining of the carpet and rust forming on the legs/castors.

Make sure that the carpet is securely fixed and that all seams are tightly sewn together or stuck down (or shrinkage may occur).

Take the unit into the room, unroll the power lead and remove the upper tank by releasing the two retaining clips.



Attachments



NOTE; This machine must be switched OFF and unplugged from its power supply whenever you are making any adjustments to it.

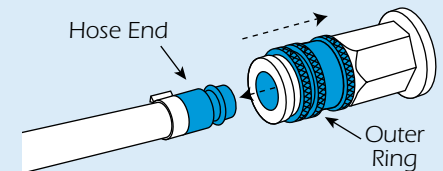
Mix 1 measure of cleaning solution (the container is clearly marked) with 10 ltrs of clean, hand hot (max. 60 degrees) water. Never fill a carpet cleaner with water that's hotter than your hand can bear.

Fill the lower clean water tank with the mixture, ensuring you DO NOT spill any over the machine.

Small spills must be wiped up immediately, if you spill a large amount, STOP and contact your local HSS Hire Shop for advice.

Hose Connections

The carpet cleaner will not work unless the solution supply hose is correctly connected. Pull back the outer ring on the machine/wand's connector, insert the end of the hose as far as it will go, then click the ring back into its original position.



Check that the 'O' seal is in place (see diagram) then refit the top waste tank, ensuring the two retaining clips are correctly fitted and replace the lid.

Now you can connect the flexible vacuum hose and solution supply hose to both machine and cleaning wand (or to the upholstery cleaning head).

If practical, plug the machine into a power point that is not in the same room and switch the supply ON.

BASIC TECHNIQUES

Pre-treat heavily soiled or stained areas with pre-spotter following the instructions on the container.

There are two illuminated switches on the front of the machine, the left switch controls the vacuum motor and the right controls the spray pump. Switch both vacuum and spray ON.