

Switch the unit ON and offer it up to the work piece. Move along the cut at a constant speed, allowing the cutter to work at its own pace.

Don't force the cut, if the cut is progressing too slowly, either the work piece is too tough, thick or the cutter has blunted. Contact your local HSS Hire Shop for advice Practice on a piece of scrap, until you are confident enough to tackle the main work.

Take your time and don't over do it. You are more likely to have an accident if you are tired or rushing.

EQUIPMENT CARE

Never push the equipment beyond its design limits. If it will not do what you want with reasonable ease and speed, assume you have the wrong tool for the job. Contact your local HSS Hire Shop for advice.

Keep the equipment clean, you will find this less of a chore if you clean it regularly, rather than wait until the end of the hire period.

When not in use, **store the equipment somewhere clean, dry and safe** from thieves.

FINISHING OFF

Switch OFF and unplug the equipment.

Neatly coil the flex and give the tool a final clean up ready for return, to your local HSS Hire Shop.



...any comments?

If you have any suggestions to enable us to improve the information within this guide please fax your comments or write to the Product Manager at the address below

Fax: 0181-687 5001

©HSS Hire Service Group Plc 1998 No. 769/01

Group Office: 25 Willow Lane, Mitcham, Surrey CR4 4TS

Web Site: <http://www.hss.co.uk>

Operating & Safety Guide 769

HSS Hire Shops



Metal Nibblers

A range of standard, profile and long reach profile nibblers to suit your cutting needs.



Code 67661/67672/67681

GENERAL SAFETY

For advice on the safety and suitability of this equipment contact your local HSS Hire Shop.^a

There is a serious risk of personal injury if you do not follow all instructions laid down in this guide.

This equipment should be used by an able bodied, competent adult who has read and understood these instructions. Anyone with either a temporary or permanent disability, should seek expert advice before using it.

Keep children, animals and bystanders away from the work area.



Never use this equipment if you are ill, feeling tired, or under the influence of alcohol or drugs.



Safety Goggles MUST be worn by everyone in the work area.



Wear practical, protective clothing, gloves and footwear. Avoid loose garments and jewellery that could catch in moving parts, tie back long hair.

Ensure the work area is well lit and ventilated.

Do not work near flammable gases or liquids, petrol or paint thinner fumes for example. Keep combustible materials at a safe distance- at least 5m.

Make sure you know how to switch this machine OFF before you switch it ON in case you get into difficulty.

Never carry or pull the equipment by its power supply cable.

Check the condition of the equipment before use. If it shows signs of damage or excessive wear, return it to your local HSS Hire Shop.

If working above ground-level, work from a stable, purpose-made platform. Steps and ladders are fine for gaining access and as work platforms for small, light jobs, but for prolonged, heavy work, an access tower or something similar is a must.

Watch your footing. Take special care if working other than on firm, level ground.

ELECTRICAL SAFETY

Most HSS Nibblers plug into a standard 240v 13amp power socket. However, 110v models (with a round yellow plug) must be provided with a suitable 110v generated supply, or powered from the mains via a suitable 110v transformer (minimum 2.2Kva tool rating).

If the equipment fails, or if its power supply cable or plug becomes damaged, return it. Never try to repair it yourself.

Keep cables out of harm's way, and clear of the work area.

Extension leads should be fully unwound and loosely coiled, away from the equipment. Never run them through water, over sharp edges or where they could trip someone.

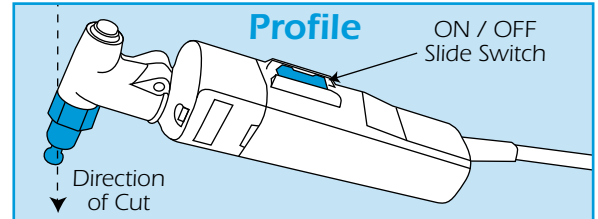
Using electrical equipment in very damp or wet conditions can be dangerous.



To reduce the risk of electric shock, use a suitable RCD (Residual Current-Operated Device) available from your local HSS Hire Shop.

Ensure the Nibbler and power socket are switched OFF before plugging into the power supply.

GETTING STARTED

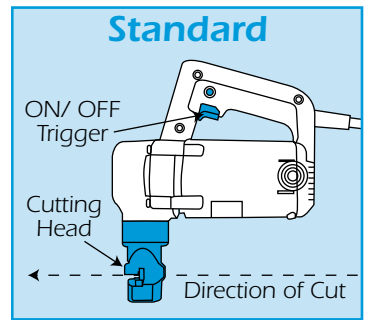


Make sure you have the correct type of nibbler for the job. For flat forward cuts use the standard model. If you are cutting either from the side or over a corrugated or trapezoidal surface you should use the profile nibbler. If the work requires, you may find the task easier if you use the long-reach profile nibbler.

Dependent on model, switch the unit ON by either sliding the ON / OFF switch forward to the ON position, or simply squeezing the ON / OFF trigger.

Familiarise yourself with the switches and their location so that you can operate them quickly in an emergency.

All that remains is to plug the nibbler into its power supply and switch the supply ON.



BASIC TECHNIQUES

Make sure the work piece is firmly held, DO NOT attempt to cut the work piece while holding it in your hands or placing on your lap.

If the work piece is in situ, create a NO GO area where any off cut may fall, to safeguard passers by.

Mark the work piece where the cut is required.

If possible, drape the tool's flex over one shoulder to keep it clear of the cutters, but make sure there is still enough slack so you are not restricted in movement.

Hold the tool in both hands and adopt a stable stance that give a good view of the work while keeping you clear of the cut edges. They will be very sharp.