

Having set up a suitable access system, **begin by setting the ridge unit over the ridge of the roof, next to the chimney stack.** Set it so that it is level.

Attach the bed frame to the ridge unit, to do this insert the spigots on the end of the frame into the sockets on the ridge unit. **Lock the spigots in place using the interlock pins supplied.**

Secure the bed frame to the ridge unit with the two ridge frame connectors, these fittings secure the angle between the ridge unit and the bed frame.

Before positioning the platform assembly, make sure the support frame claws are connected to the platforms' storage tubes. This will allow the assembly to be manoeuvred without parts sliding and slipping about.

Connect the ridge end of the platform to a rung on the bed frame, which will allow the correct platform height for the work. Disconnect the support frame and swing it out.

Attach the support frame to a rung on the bed frame, which allows the support frame to sit angled away from the platform rather than under it.

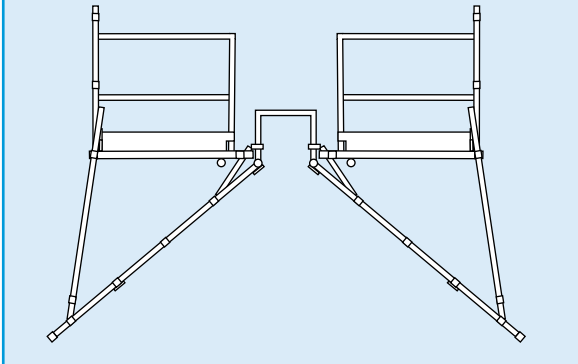
Level the platform by repositioning the cross pins.

Attach the hand rail assembly to the spigots on the platform so that the rail is protecting the user. Ensure that the interlock clips are securely attached.

Finally, fit the toe boards to the bottom of the hand rail uprights (they simply clip on).

BASIC TECHNIQUES

Setting a Scaffold on Each Side



The scaffold is designed so that you can assemble up to four units together. Two units can be assembled either side of the chimney and or either side of the ridge.

Where additional units are to be used, connect additional tubing to the captive couplers on the handrail assemblies and use staging or boards to link platforms.

Make sure that all platforms are fully toeboarded.

EQUIPMENT CARE

Never push the equipment beyond its design limits. If it will not do what you want with reasonable ease and speed, assume you have the wrong type of scaffold for the job. Contact your local HSS Hire Shop for advice.

Keep the equipment clean – you will find this less of a chore if you clean it regularly, rather than wait until the end of the hire period.

When not in use, **store the equipment somewhere clean, dry and safe** from thieves.

FINISHING OFF

Dismantle the unit by reversing the assembly instruction in strict sequence.

Gather all the parts together and give them a final clean up ready for return, to your local HSS Hire Shop.



...any comments?

If you have any suggestions to enable us to improve the information within this guide please fax your comments or write to the Product Manager at the address below

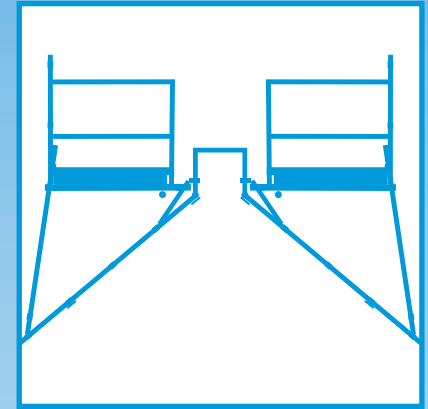
Fax: 020 8687 5001

©HSS Hire Service Group Plc 2000 No. 969/01

Group Office: 25 Willow Lane, Mitcham, Surrey CR4 4TS

Web Site: <http://www.hss.co.uk>

HSS Hire Shops



Chimney Scaffold

An easily erected scaffold system, providing a safe work platform around a chimney stack.



GENERAL SAFETY


For advice on the safety and suitability of this equipment contact your local HSS Hire Shop.


There is a serious risk of personal injury if you do not follow all instructions laid down in this guide. The hirer has a responsibility to ensure that all necessary risk assessments have been completed prior to the use of this equipment.

This equipment should only be used by an operator who has been deemed competent to do so by his/her employer.

This equipment should be used by an able bodied, competent adult who has read and understood these instructions. Anyone with either a temporary or permanent disability, should seek expert advice before using it.

Keep children, animals and bystanders away from the work area. Cordon off a NO GO area using cones and either barriers or tape, available for hire from your local HSS Hire Shop.

 Never use this equipment if you are ill, feeling tired, or under the influence of alcohol or drugs.

 Wear sensible, protective clothing and footwear offering good grip, plus workgloves and a hard hat. Tie back long hair and avoid loose garments and jewellery that could get in your way.

Don't use the scaffold in windy weather, allow for the fact that in blustery weather, on exposed sites gusts can be surprisingly strong.

If the wind speed exceeds 17mph (a moderate breeze, strong enough to blow dust and paper about) then evacuate the scaffold.

If the wind speed is due to exceed 25mph (a breeze strong enough to move large tree branches) the scaffold should not be erected or used. Allow the wind strength to subside before erecting or using.

Construct the scaffold away from overhead power cables and similar hazards.

Never carry anything when climbing, unless you can do so leaving both hands free. Haul things up after you, using stout rope and secure knots.

Always check the condition of components before use – and at regular intervals. If any show signs of damage or excessive wear, do not use them. Return them to your local HSS Hire Shop.

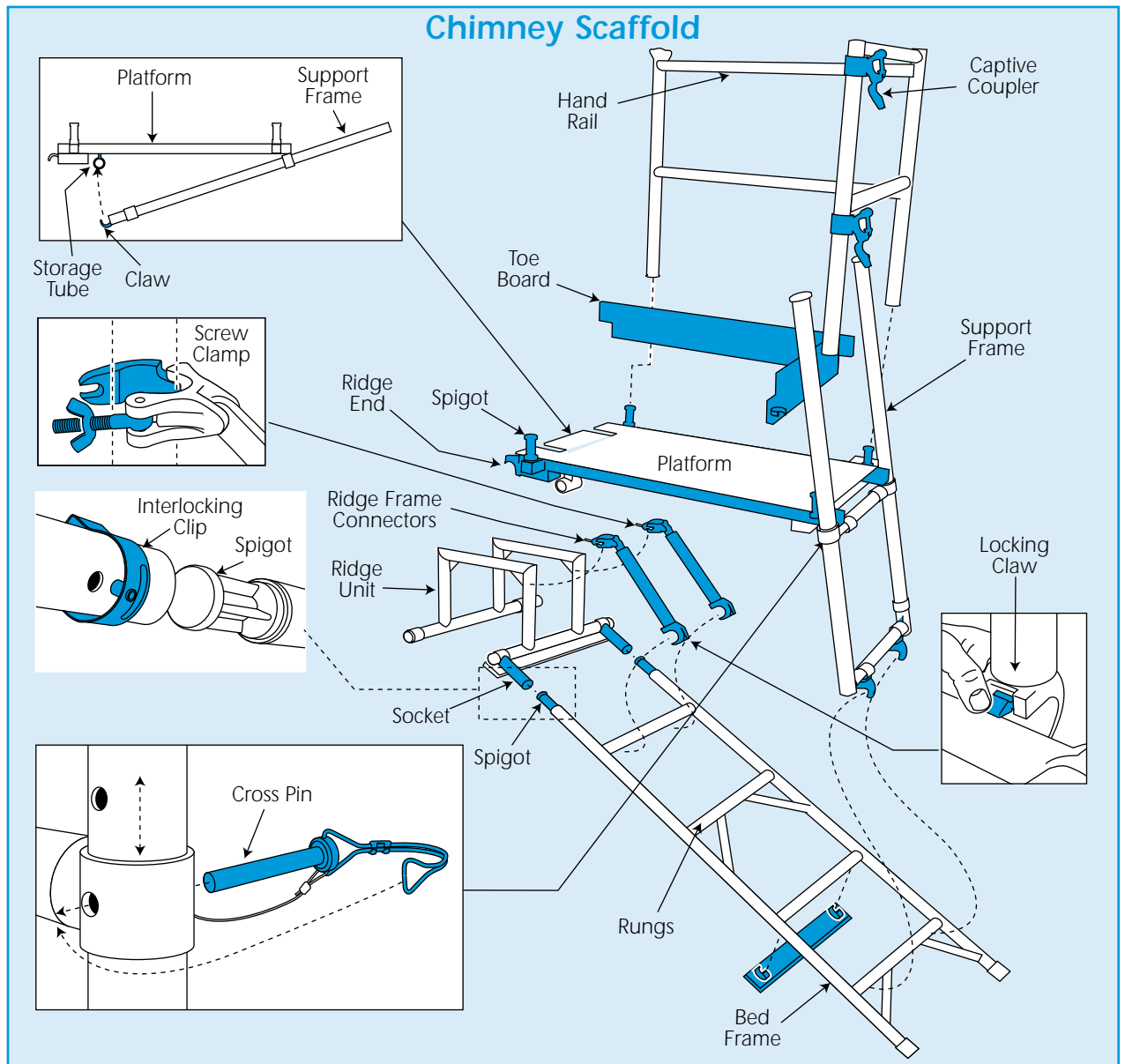
Always ensure the scaffold is correctly built and level before use – and check regularly thereafter.

GETTING STARTED

CLIPS & CLAWS

Components are linked using three kinds of fitting...

INTERLOCK CLIPS join spigots to sockets. Unlock



the clip, fit the spigots into its sockets and re-lock the clips.

LOCKING CLAWS join components to tubing. Pull back the trigger to open the jaws, then snap the claw onto the rail or upright, ensuring the open side faces down or out. The jaws should lock automatically.

SCREW CLAMPS fix ridge frame connectors. Locate the cuff around the tubing and tighten up the screw handle.

Whichever fittings you are using, always double-check that it is locked and secure before continuing.

To enable you to construct the scaffold safely, you should access the roof area using a suitable ladder and roof ladder or access tower/scaffold.

HSS offer a range of ladders, roof ladders and scaffold towers to suit most needs, contact your local HSS Hire Shop for further information.