

You can now make the hose connections between compressor and whatever it is supplying.

The hose and compressor have a snap type connector fitting. Pull back the couplings outer sleeve, inserts the end of the hose, then let the sleeve snap back into place.

Once the air hose is connected to both the compressor and the tool or spray gun being used, check that the ON/OFF switch is in the OFF position and that all air taps are closed (turn clockwise to close & anti-clockwise to open).

Now you can plug it in (or connect it up to its power supply) and switch the ON/OFF switch ON. This is achieved by either pulling the red button out or turning the switch clockwise to the 'I' symbol.

NOTE; The compressor must not be switched ON using the power supply switch. The compressors switch automatically releases any pressure in the pump to allow the motor to reach operating speed without straining. Failure to observe this rule will result in the motor burning out.

CFM	Max Working Pressure	Tank Capacity	Weight
9	150psi	50Ltr	57Kg
15	150psi	100Ltr	72Kg

Allow the compressor to run and build up pressure. The compressor's motor will cut out when the correct working pressure is reached. The motor will then cut back in when the pressure is reduced.

Before opening the air tap, adjust the pressure control to give the required output for the equipment you are using. Pull the red adjuster knob up, turn clockwise to increase and anti-clockwise to decrease. Once the pressure gauge shows the correct pressure, push the red adjuster knob back down to lock it in place.

Always refer to the instructions supplied with the equipment being run, for the correct pressure. If in doubt, contact your local HSS Hire Shop for advice.

Having checked that the equipment being run is switched OFF, you may now open the air tap.

Caution

Do not run a compressor continuously for long periods. From time to time, switch it OFF and unplug it, then open the receiver tank's drain valve to remove any water that has accumulated.

EQUIPMENT CARE

Never push the equipment beyond its design limits. If it will not do what you want with reasonable ease, assume you have the wrong tool for the job. Ask at you local HSS Hire Shop for advice.

Handle the equipment with care. In particular, avoid knocking the air taps. Tank and safety valve.

Keep the equipment clean. You will find this less of a chore if you clean up regularly rather than wait until the end of the hire period.

Keep the compressor upright at all times, if the unit has fallen over or been placed on its side, DO NOT use it, contact your local HSS Hire Shop for advice.

When not in use, store the equipment somewhere clean, dry and safe from thieves.

Damaged hoses are dangerous, so always handle them with care and coil them neatly, without kinks, for storage.

FINISHING OFF

Even if you are only stopping work for short break, shut down the compressor completely.

Close all air taps, then operate the equipment fed by the compressor to release the pressure in the hoses. Finally, carefully open the receiver tank's drain valve to release the pressure in the tank and remove any water in the system.

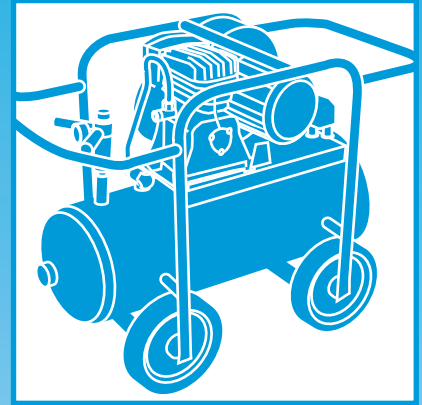
If you have finished with the equipment completely, you should now clean up the compressor as thoroughly as possible. Then disconnect the air hoses and tools and coil them neatly ready for return to you local HSS Hire Shop.



©HSS Hire Service Group Plc 1997 No. 595/01
Group Office: 25 Willow Lane, Mitcham, Surrey CR4 4TS

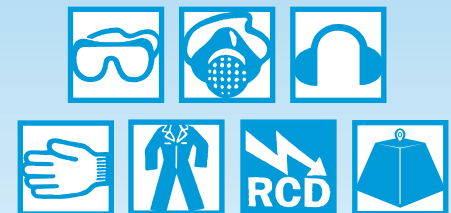
Operating & Safety Guide 595

HSS Hire Shops



9cfm & 15cfm Electric Compressors

Two versatile electric compressors, complete with integrated receiver tank, water separator and 6m (20ft) air-line.



Code 61632/52

GENERAL SAFETY

For advice on the safety and suitability of this equipment contact your local HSS Hire Shop.

This equipment has been designed to be used by an able bodied adult. If you suffer from either a temporary or permanent disability, you must seek expert advice before using this equipment.

Keep children, animals and bystanders away from the work area.

Never use this equipment if you are ill, feeling tired, or under the influence of alcohol or drugs.

This equipment should only be used by a competent person who has read and understood these instructions.



Safety Goggles MUST be worn by everyone in the work area.



Some materials being sprayed may contain substances that, when inhaled, can be harmful to health. A suitable mask must be worn when using this equipment. Respiratory protective equipment is available for hire, contact your local HSS Hire Shop for details



This equipment generates potentially harmful noise levels. To comply with health and safety at work regulations, ear defenders must be worn by everyone in the vicinity.



Wear practical, protective clothing, gloves and footwear. Avoid loose garments and jewellery that could get in the way of the work, tie back long hair.



This equipment is heavy, never attempt to lift it by yourself, always get help.

If working above ground-level, work from a suitable, stable platform, an access tower for example. Never work from ladders or steps.

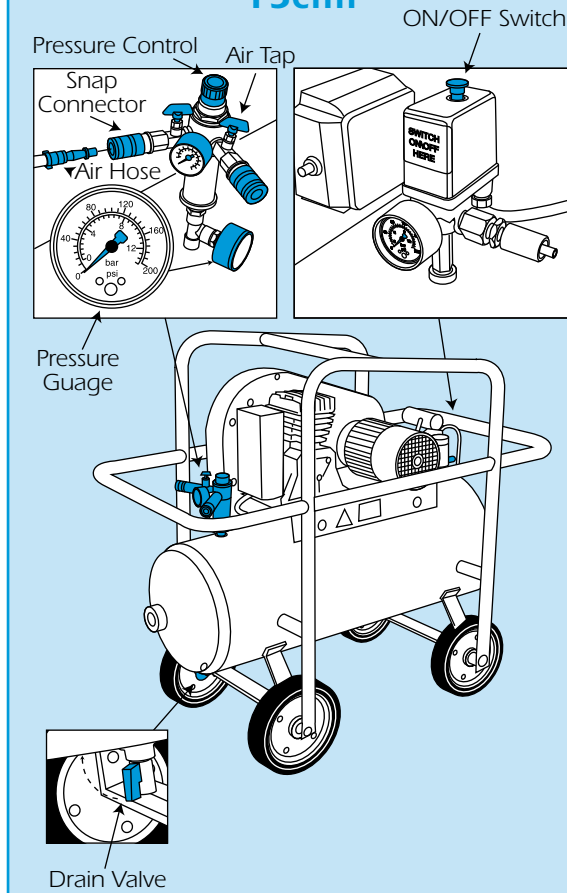
Never carry or pull the equipment by its flex or hoses.

Ensure the work area is well lit and ventilated, fume extraction equipment is available from your local HSS Hire Shop.

Watch your footing. Take special care if working other than on firm, level ground.

Always double-check the unit's general condition before use, paying special attention to hose connections, air taps and hoses. If it shows signs of damage or excessive wear, DO NOT USE IT. Return it to your local HSS Hire Shop for repair.

15cfm



ELECTRICAL SAFETY

Most HSS mains electric compressors plug straight into a standard 240v, 13amp power socket. The electric 15cfm compressor, however, must be 'wired in' to a 30amp circuit and all connections may only be made by a qualified electrician.

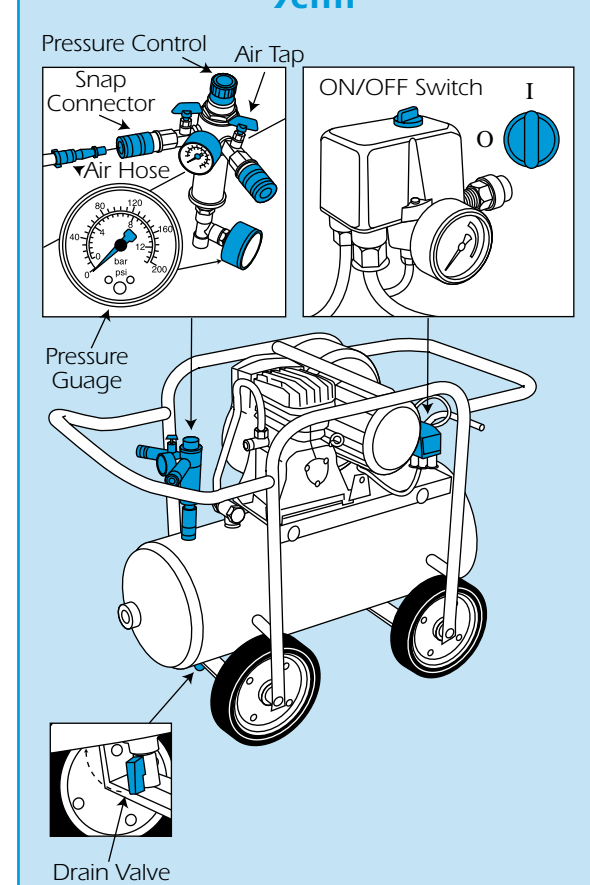
HSS also offer a 110v version of the 9cfm compressor (with a round, yellow plug). This must be powered either from a suitable 110v generator or from the mains via a 3kVA transformer.

If the equipment fails, or if its flex or plug becomes damaged, return it. Never try to repair it yourself.


Keep flexes out of harm's way, and clear of the work area.

Extension leads should be fully unwound and loosely coiled, away from the equipment. Never run them through water, over sharp edges or where they could trip someone.

9cfm



Keep the equipment dry, using electrical equipment in very damp or wet conditions can be dangerous.

 To reduce the risk of electric shock, use a suitable RCD (Residual Current-Operated Device) available from your local HSS Hire Shop. Or power the equipment from a mains circuit with a built in RCD.

Ensure the compressor and power socket are switched OFF before plugging into the power supply.

GETTING STARTED

Open the drain valve to expel any water in the tank and release any residual pressure, then close it.

Check the pump's oil level. If you cannot see oil in the 'oil sight', do not use the compressor. Contact your local HSS Hire Shop for advice.

If using the compressor for spray painting, place it at least 3m away from the work area.