

EQUIPMENT CARE

Never use the equipment for anything other than its intended purpose. If it will not do what you want with reasonable ease, assume it's the wrong tool for the job. Contact your local HSS Hire Shop.

Handle the equipment with care. Avoid dropping it, knocking it, or otherwise exposing it to damage.

Never expose the equipment to excessive moisture, dust or dangerous/corrosive chemicals.

When not in use, store the equipment somewhere clean, dry and safe from thieves.

Keep the equipment clean. You will find this less of a chore if you clean it regularly rather than wait until the end of the hire period.

If the RCD trips, turn off the power, unplug everything connected to it and consult the fault finding chart.

RCD Fault-Finder

If you find...

Cuts, abrasions or severe kinks in any lead.

Cracked, chipped or otherwise damaged plugs.

Water or other liquids that may have penetrated plugs, casings or any electrical connection – including the RCD itself.

Then...

Return the equipment to your local HSS Hire Shop.

If you suspect a faulty tool...

Individually test each piece of equipment including transformers, connected to the RCD.

Reset the RCD, connect up the suspect piece of equipment and switch on.

If the RCD trips again, assume that particular piece of equipment is faulty.

Then...

Return the equipment to your local HSS Hire Shop.

FINISHING OFF

Switch OFF and unplug all electrical equipment connected to the unit. Wait for the equipment to cool and for moving parts to stop before putting it aside.

Unplug all cables connected to the unit and **dust them down** with a soft cloth. Finally, **neatly coil the cables** ready for return.

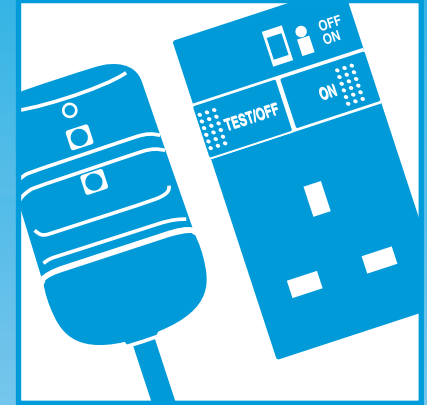


©HSS Hire Service Group Plc 1996 No. 621/01

Group Office: 25 Willow Lane, Mitcham, Surrey CR4 4TS

Operating & Safety Guide 621

HSS Hire Shops



Residual Current Operated Device (RCD)

Cut off the power supply instantly, reducing the risk of electric shock.

GENERAL SAFETY

For advice on the safety and suitability of this equipment Contact your local HSS Hire Shop.

Keep children, animals and spectators out of the work area.

Never use this equipment if you are ill, feeling tired, or under the influence of alcohol or drugs.

This equipment should only be used by a competent person who has read and understood these instructions.

Wear sensible, reasonably protective clothing and footwear plus any safety gear appropriate to the equipment being powered.

Keep transformers, junction boxes, extension lead reels and RCDs at a safe distance from the work area.

Keep leads clear of any exposed moving parts or cutting edges that the equipment being powered may have.

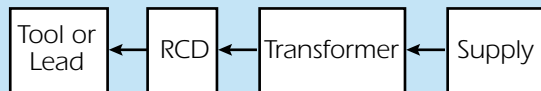
ELECTRICAL SAFETY

Keep electrical equipment dry at all times. Using it in wet or very conditions can be dangerous.

WARNING

When used with a transformer an RCD will only protect the user if fitted between the transformer and the tool being used.

An RCD fitted between the power supply and the transformer only protects up to the transformer.



HSS RCD's come in four distinct types – light-duty 240V RCD plugs and adaptors and heavy duty 110V or 240V RCD boxes. **Be sure to choose the right RCD** for the job, matching its voltage to that of the electrics it is to protect.

Handle plugs and flexes with care. Avoid running leads through water, over sharp edges, or where they could trip someone.

Never strain leads by using them to move or carry equipment.

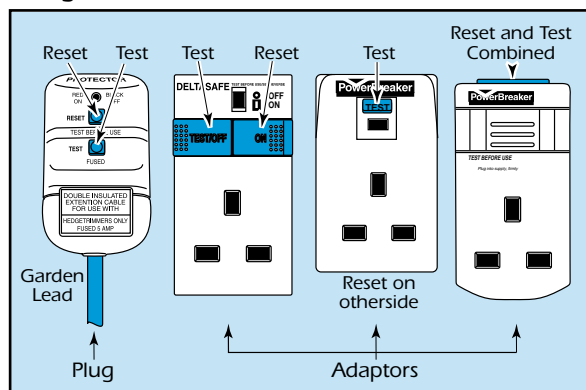
If the RCD fails, or if a lead gets damaged, return it. Never attempt to repair it yourself.

Never overload the electrics. Add up the power ratings of all the equipment connected to a given RCD and check that the total is less than the power rating of the RCD itself. Remember that 1kVA = 1kW = 1000 W.

Always switch OFF and unplug electrical equipment before attempting to maintain or adjust it in any way. Never leave electrical tools unattended while they are plugged in and switched ON.

GETTING STARTED

Using an RCD ADAPTOR...



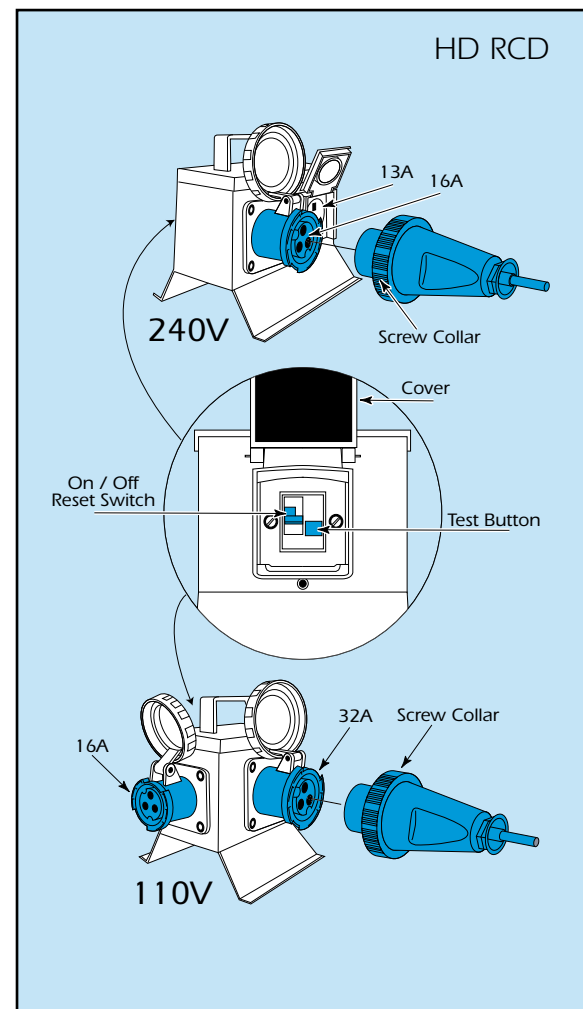
Always plug the adaptor into the power source.
If the set-up includes a transformer, fit a 110V RCDs to the transformer's 110V outlet sockets.
Never plug an RCD into an extension lead's outlet socket. It won't respond to faults in the lead.
Before starting work, check that the RCD is working properly. For absolute safety, **test it twice.**
Confirm the make/design of the RCD you have (see diagram) **and familiarise yourself with the buttons**
Press the reset button to turn the ON/OFF indicator to red, **then push the test button** (see diagram).
If the ON/OFF indicator trips back to white, all is well. Simply **press the reset button once more**, the ON/OFF indicator will turn red, and the RCD is ready for use.

Safety Cut Outs

All HSS Transformers are protected by thermal disrupters, circuit breakers, or fuses, and comply with either British Standard BS3535 or International Standard CEE 15. Their output sockets comply with British Standard BS4343 and International Standard CEE 17.

On some RCD plugs, the reset button cannot be operated until the power supply has been switched off then back on.

If using 240V OR 110V HEAVY DUTY RCD BOXES...



Turn the RCD on by lifting the cover and clicking the switch up. Press the white button (marked T) at the side of the switch, the RCD will trip and the switch will move down.

Test again, then reset the switch to ON and plug in the tool to be used.

The 16A and 32A Industrial sockets on the HD RCD are designed to be used with either normal 16A and 32A plugs or with splashproof plugs fitted with a securing screw collar.