

Whether scrubbing or polishing...

Move the unit on its rear transport wheels, to the furthest area of the floor.

All that remains is to **plug the unit into its power supply and switch the supply ON.**

BASIC TECHNIQUES

Raise the tilt control lever to disengage the control handle lock. Lower the control handle to suit, then simply release the lever to lock in position.

To switch the machine ON, depress the lock off button with your thumb and squeeze in the ON/OFF lever.

When the machine first starts, dependent on its angle, it will try to run away. You will be able to control its direction by the angle of the brush.

TILT ANGLE	DIRECTION OR TRAVEL.
Backward	Right
Forward	Left
Left	Backward
Right	Forward

Now, **guide the machine as slowly as possible** working over the entire floor.

To release detergent, pull the valve release bar. If using the Cimex model firstly open the safety valve at the base of the tank.

Hold the machine stationary over stubborn areas, and avoid walking on wet or polished surface.

You may have to adjust the angle of the control handle to suit localised conditions as the work proceeds.

EQUIPMENT CARE

Never push the equipment beyond its design limits. If it will not do what you want with reasonable ease, assume you have the wrong machine for the job. Ask at your local HSS Hire Shop for advice.

Keep the equipment clean. You will find this less of a chore if you clean up regularly, rather than wait until the end of the hire period.

When not in use, store the equipment somewhere clean, dry, and safe from thieves. Protect this machine from frost and freezing temperatures.

Use only brushes and polishing pads supplied by HSS Hire Shops. Anything else may damage the equipment and your floor.

FINISHING OFF

Switch OFF and unplug the machine.

Reset the control handle to upright, then remove the brush / nipple pad.

Empty any remaining detergent.

Give the machine a thorough clean and neatly coil its flex ready for return to your local HSS Hire Shop.



...any comments?

If you have any suggestions to enable us to improve the information within this guide please fax your comments or write to the Product Manager at the address below

Fax: 0181-687 5001

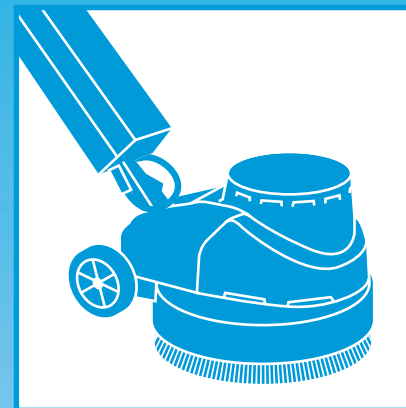
©HSS Hire Service Group Plc 1998 No. 694/02

Group Office: 25 Willow Lane, Mitcham, Surrey CR4 4TS

Web Site: <http://www.hss.co.uk>

Operating & Safety Guide 694

HSS Hire Shops



Floor Scrubber Polisher

An industrial machine for cleaning large areas quickly. Can also be used to polish when the polish is applied by hand.





Code 58611

GENERAL SAFETY

For advice on the safety and suitability of this equipment contact your local HSS Hire Shop.

This equipment should be used by an able bodied, competent adult who has read and understood these instructions. Anyone with either a temporary or permanent disability, should seek expert advice before using it.

Keep children, animals and bystanders away from the work area.

  Never use this equipment if you are ill, feeling tired, or under the influence of alcohol or drugs.

  Wear practical, protective clothing, gloves and footwear. Avoid loose garments and jewellery that could get in the way, tie back long hair.

Ensure the work area is well lit and ventilated.

Never carry, lift or pull the equipment by its power supply cable.

Check the equipment before use. If it shows signs of damage or excessive wear, return it.

Keep cleaning equipment and chemicals out of the reach of children and pets.

Never operate electric cleaning equipment or electric switches with wet hands.

Always isolate the equipment from its power supply, when not in use.

COSHH Information sheets are available from your local HSS Hire Shop.

ELECTRICAL SAFETY


Most HSS Floor Scrubber Polishers plug into a standard 240v 13amp power socket. However, 110v models (with a round yellow plug) must be provided with a suitable 110v generated supply, or powered from the mains via a suitable 110v transformer.

If the equipment fails, or if its power supply cable or plug becomes damaged, return it. Never try to repair it yourself.

Keep flexes out of harm's way, and clear of the work area.

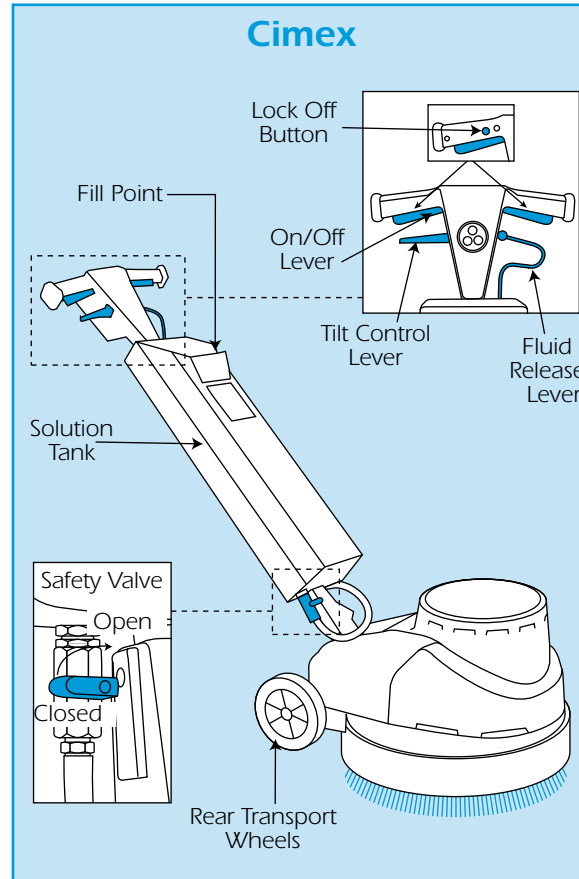
Extension leads should be fully unwound and loosely coiled, away from the equipment. Never run them through water, over sharp edges or where they could trip someone.

Keep the equipment dry, using electrical equipment in very damp or wet conditions can be dangerous.

 To reduce the risk of electric shock, use a suitable RCD (Residual Current-Operated Device) available from your local HSS Hire Shop.

Ensure the Floor Scrubber Polisher and power socket are switched OFF before plugging into the power supply.

GETTING STARTED



Clear the floor area of all furniture, if this is impractical, the furniture will have to be moved around as the work progresses. Tie up any long curtains that touch the floor. Sweep and clear the entire floor area.

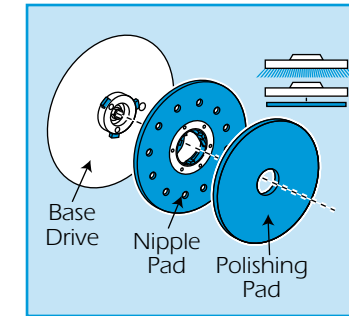
Take the unit into the room and unroll the power lead.

NOTE; This machine must be switched OFF and unplugged from its power supply when ever you are making any adjustments to it.

Select the right cleaning head for the job either a brush or 3Ms abrasive pad. Our staff will be happy to advise you.

If polishing..

Tilt the machine back to reveal the base drive.



Fit the nipple pad to the base drive. Simply align the centre of the pad with the base drive and turn anti-clockwise 90 degrees.

Now move the machine upright again placing the polishing pad onto the nipple pad.

If scrubbing...

Fit the brush head as described for the nipple pad.

Mix detergent with the correct amount of water and fill the solution tank.

