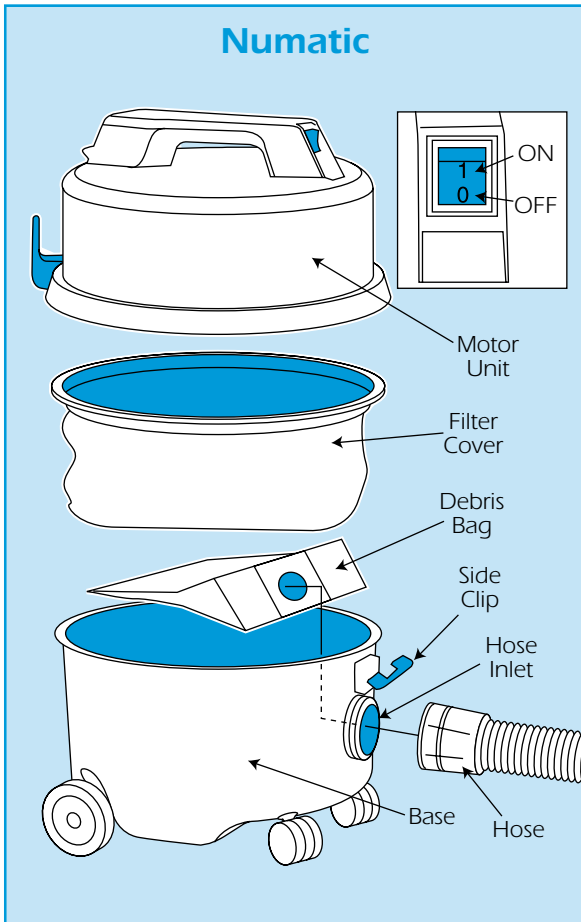


## Numatic



The first section of the wand has a black plastic collar which will allow you to reduce the vacuum power to 70 %, simply turn to show an opening in the tube.

This first section also enables you to change the height of the wand assembly depending on which way round it is set.

If required you can fit the round brush either to the end of the wand or directly to the end of the hose

Take your time and don't overdo it. You are more likely to have an accident if you are tired or rushing.

## EQUIPMENT CARE

Never push the equipment beyond its design limits. If it will not do what you want with reasonable ease and speed, assume you have the wrong size model for the job. Contact your local HSS Hire Shop for advice.

Keep the equipment clean, you will find this less of a chore if you clean it regularly, rather than wait until the end of the hire period.

Check the debris bag at regular intervals and replace as necessary, following the instructions in 'GETTING STARTED'.

Remember, it is your responsibility to dispose of any debris in a responsible manner.

Handle the equipment with care. Avoid dropping it, knocking it, or otherwise exposing it to damage.

When not in use, store the equipment somewhere clean, dry and safe from thieves.

## FINISHING OFF

Switch OFF and unplug the vacuum.

Disconnect the head, wand and hose. Remove the debris bag and replace the motor unit.

Collect all the parts together, neatly coil the flex and give the tool a final clean up ready for return, to your local HSS Hire Shop.



## ...any comments?

If you have any suggestions to enable us to improve the information within this guide please fax your comments or write to the Product Manager at the address below

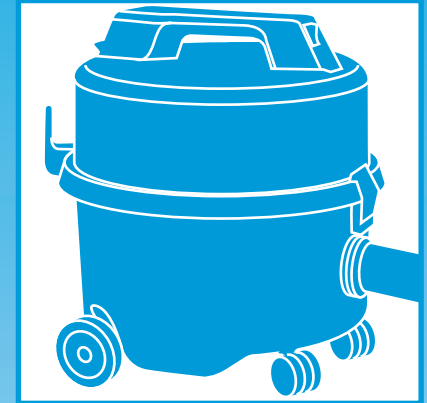
Fax: 0181-687 5001

©HSS Hire Service Group Plc 1998 No. 683/01  
Group Office: 25 Willow Lane, Mitcham, Surrey CR4 4TS

Web Site: <http://www.hss.co.uk>

## Operating & Safety Guide 683

# HSS Hire Shops



## Light-Duty Vacuum

A compact vacuum, ideal for use in homes, offices and shops.




Code 58111

## GENERAL SAFETY

**For advice** on the safety and suitability of this equipment **contact your local HSS Hire Shop.**

**This equipment should be used by an able bodied, competent adult** who has read and understood these instructions. Anyone with either a temporary or permanent disability, should seek expert advice before using it.

**Keep children, animals and bystanders away from the work area.**

 **Never use this equipment if you are ill, feeling tired, or under the influence of alcohol or drugs.**

**Ensure the work area is well lit and ventilated.**

**Always transport, store and operate the machine in an upright position.**

**Keep the unit's air vents clear of all obstructions.**

**Always switch OFF and unplug everything before attempting to service or adjust the unit.**

**NEVER use this equipment for removing asbestos or any other hazardous material.**

**This unit is for dry pickup only, NEVER attempt to pickup damp or wet waste.**

**Never carry, lift or pull the equipment by its power supply cable or hose.**

**Check the equipment before use,** if it shows signs of damage or excessive wear, return it.

## ELECTRICAL SAFETY


**HSS Light Duty Vacuums plug into a standard 240v 13amp power socket.** However, **110v models** (with a round yellow plug) **must be provided with a suitable 110v generated supply,** or powered from the mains via a suitable 110v transformer (minimum 2Kva tool rating).

**If the equipment fails,** or if its power supply cable or plug becomes damaged, **return it.** Never try to repair it yourself.

**Keep cables out of harm's way,** and clear of the work area.

**Extension leads should be fully unwound and loosely coiled, away from the equipment.** Never run them through water, over sharp edges or where they could trip someone.

**Using electrical equipment in very damp or wet conditions can be dangerous.**

 **To reduce the risk of electric shock, use a suitable RCD** (Residual Current-Operated Device) available from your local HSS Hire Shop.

**Ensure the Vacuum and power socket are switched OFF before plugging into the power supply.**

## GETTING STARTED

**Unclip and remove the motor unit, then remove the filter cover.**

**Remove any existing debris bag** and tip out any loose debris in the bottom of the base.

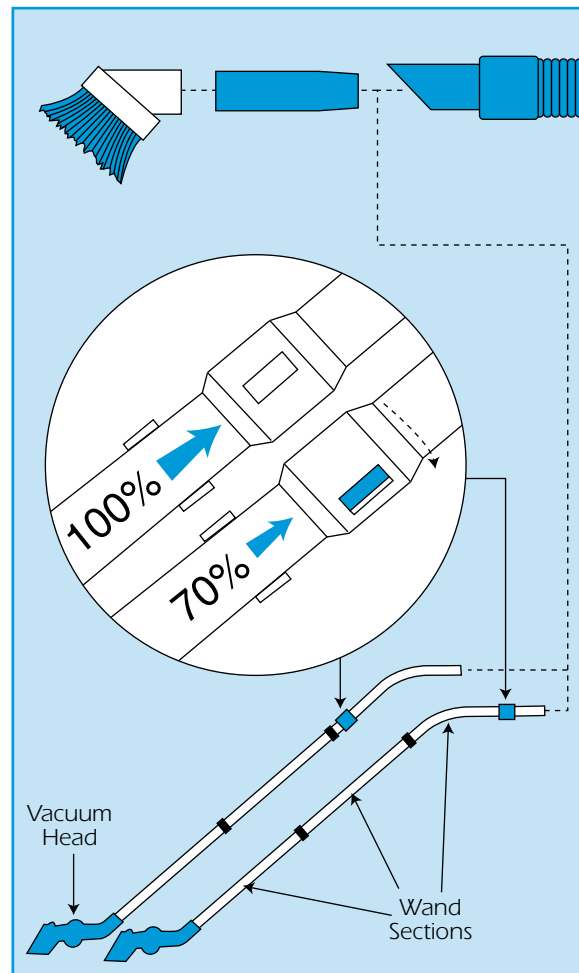
Take a new debris bag and open it to shape. Be careful not to rip or otherwise damage it.

**Place the new debris bag inside** the base and push its opening over the inlet.

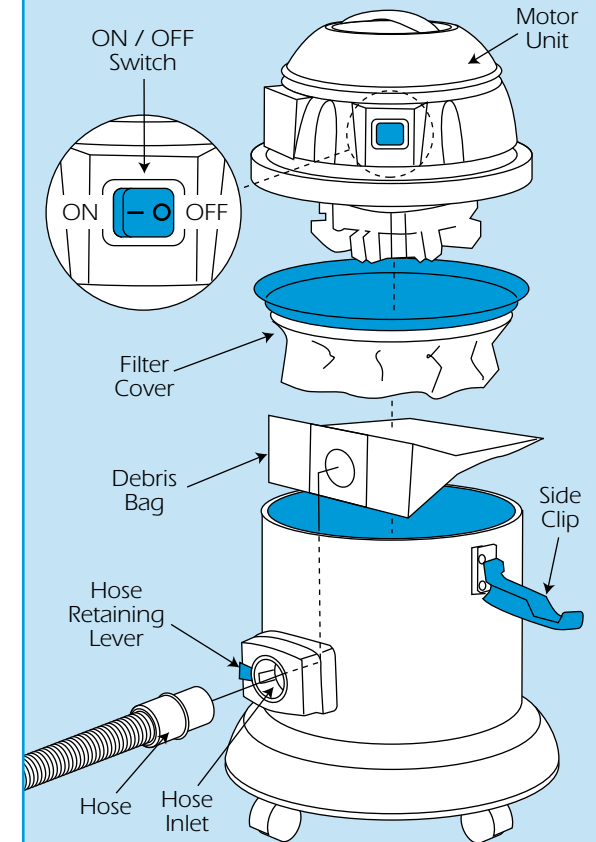
**Replace the filter cover, then re-fit the motor unit** securing it in place with the side clips.

**Connect the hose to the base** by either screwing on to the inlet (clockwise) or by moving the hose retaining lever to the left, inserting the hose and releasing the lever.

Next **fit the 3 wand sections together followed by the vacuum head.**



## Reddyvac



**To switch the vacuum ON** simply **move the ON/OFF switch to the 'I' position.** To switch OFF move the switch to the '0' position.

Familiarise yourself with the switches and their location so that you can operate them quickly in an emergency.

All that remains is to **plug the Vacuum into its power supply and switch the supply ON.**

## BASIC TECHNIQUES

Always **position yourself so you can control the vacuums whereabouts** while ensuring that neither the hose or the power supply cable are under strain.

**Move the wand backward in straight strips** across the floor, working in a methodical pattern to ensure the entire area is vacuumed.

**Some heads can have their brush retracted** when working on smooth surfaces, to do this simply depress the retraction lever.