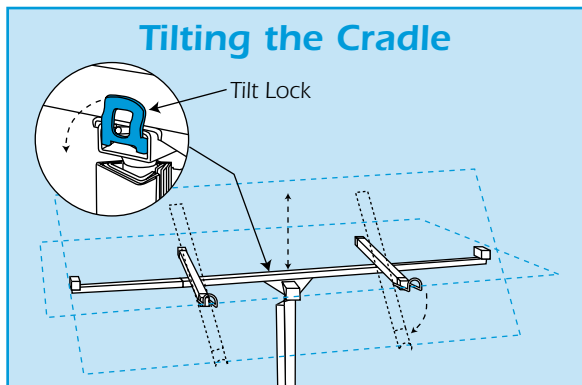


## BASIC TECHNIQUES

During use it is important that the operator remains behind the winch assembly and the back stop break leg is in contact with the floor. The back stop will allow the unit to move away from the operator but not backward toward him/her.

The lifter can be loaded in two ways, either with the cradle flat or tilted.



To tilt the cradle lift the tilt lock up, then tilt the cradle (approx 45 degs). Once loaded return the cradle to horizontal and re-lock.

To raise the panel simply turn the winch clockwise carefully manoeuvring the lifter until the panel is in the correct position. You can then fix the panel in place.

To lower the cradle hold the winch to stop it rotating then raise the winch lock lever and turn the winch anti-clockwise until the cradle is fully lowered.

If the panel is to be attached to a sloping ceiling, the cradle can be set/left in the tilted position as previously described.

## EQUIPMENT CARE

Never push the equipment beyond its design limits. If it will not safely do what you want with reasonable ease and speed, assume you have the wrong equipment for the job. Contact your local HSS Lift & Shift Depot for advice.

Keep the equipment clean, you will find this less of a chore if you clean it regularly, rather than wait until the end of the hire period.

When not in use, store the equipment somewhere clean, dry and safe from thieves.

## FINISHING OFF

To dismantle the lift, lock the cradle in the horizontal position, reinsert the end supports and remove the cross supports, remembering to press in the spring loaded retainers.

The cradle can now be lifted clear.

Now rotate the winch one full rotation then raise the slide bar with your left hand whilst turning the slide bar lock anti-clockwise.

Next push down on the top of the telescopic section allowing the winch assembly to move forward. Hold the assembly in position and swing the transport hook over the telescopic section to lock it in position. All that remains is to turn the winch clockwise as far as it will go.

Lift the frame off of the tripod base then collapse the tripod base assembly. Press in the lock pin and swing the outer legs in until the lock pin re-engages to hold the assembly closed.

Collect all the units parts together ready for return to your local HSS Lift & Shift Depot.



### ...any comments?

If you have any suggestions to enable us to improve the information within this guide please fax your comments or write to the Product Manager at the address below

Fax: 0181-687 5001

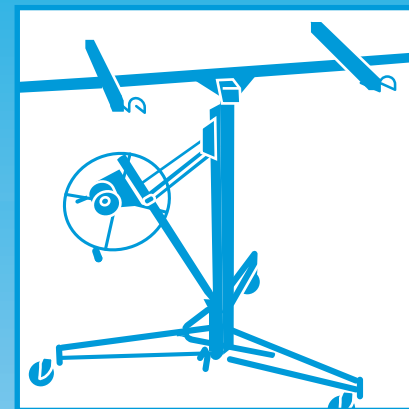
©HSS Hire Service Group Plc 1998 No. LS19/01

Group Office: 25 Willow Lane, Mitcham, Surrey CR4 4TS

Web Site: <http://www.hss.co.uk>

## Operating & Safety Guide LS19

# HSS Lift & Shift



## Panel Lifter

A purpose built lift for raising plasterboard panels into position prior to fixing.



Code 69940

## GENERAL SAFETY

**For advice** on the safety and suitability of this equipment **contact your local HSS Lift & Shift Depot.**

**There is a serious risk of personal injury if you do not follow all instructions laid down in this guide.**

**This equipment is designed to be used by an able bodied, competent adult** who has read and understood these instructions. Anyone with either a temporary or permanent disability, should seek expert advice before using it.

**Keep children, animals and bystanders away from the work area.**



**Never use this equipment if you are ill, feeling tired, or under the influence of alcohol or drugs.**



**Wear practical, protective clothing, gloves, footwear and a protective hard hat.** Avoid loose garments and jewellery that could catch in moving parts, tie back long hair.



**Use this equipment for vertical lifts only and use on a level floor area able to take the combined weight of the load and the equipment.**



**Ensure the load is balanced and stable and that personnel stand clear of the raised load.**

**Make sure you know how to operate this equipment safely and are aware of its limitations before you use it.**

**It is both the hirers and the operators responsibility to perform a risk assessment before assembling or using this equipment.** You are also responsible for the safety of any one in the work area.

**Make sure that anyone in the immediate work area is warned of what you are doing.**

**Never allow anyone under a raised load or in a position where they are at risk if the load shifts.**

**Never leave the equipment loaded or unattended.**

**This equipment MUST NOT be used to carry personnel.**

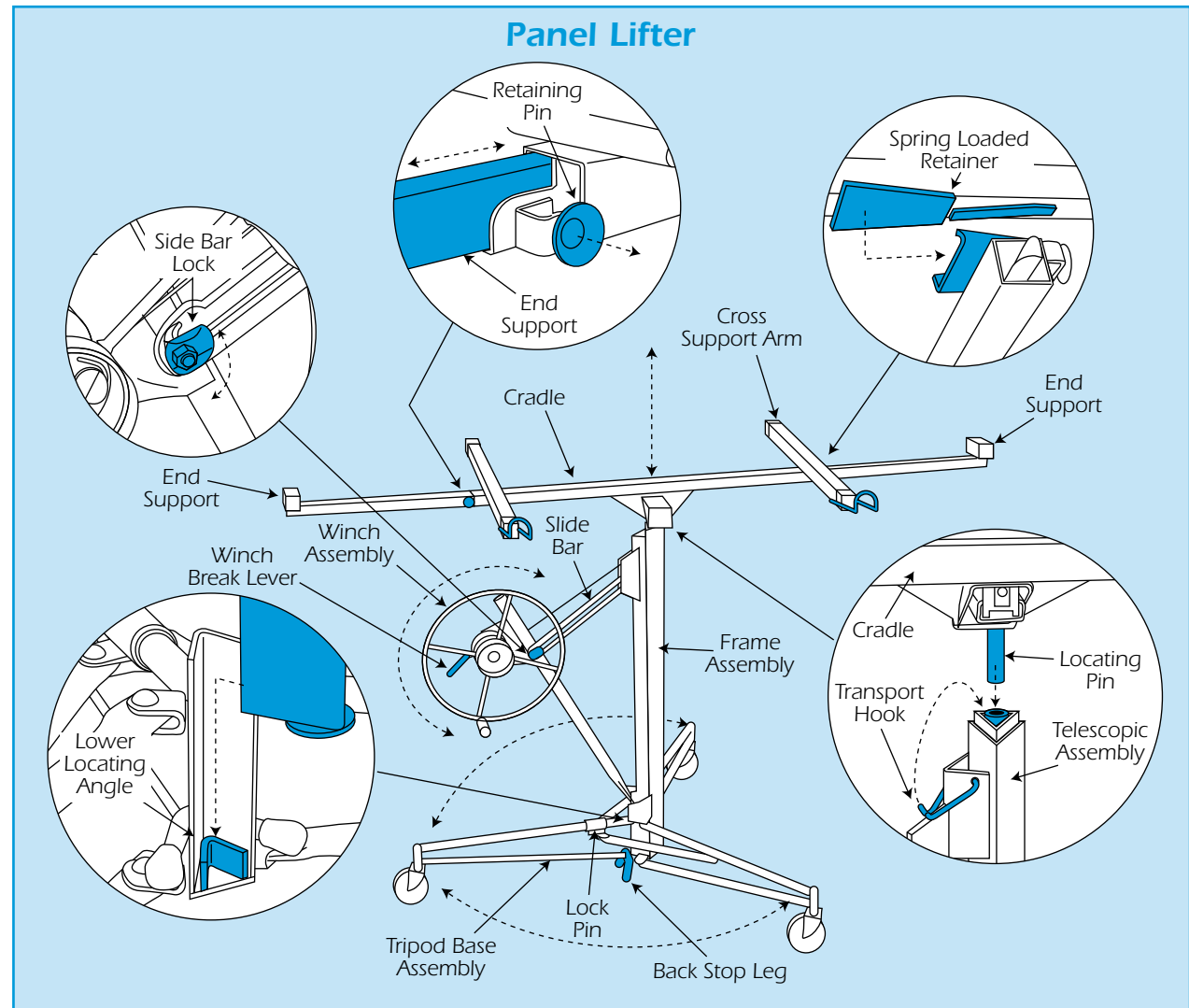
**Never exceed the panel lifters safe working load (68Kg) for the item being lifted.**

**Check the condition of the equipment before use.** If it shows signs of damage or excessive wear, return it to your local HSS Lift & Shift Depot.

## GETTING STARTED

**Check that the floor is capable of supporting this type of loading.**

**Place the tripod base assembly on the floor,** Press in the lock pin and **swing the outer legs out** until the lock pin re-engages to hold the tripod in a 3 point star. **Now lower the back stop leg.**



**Insert the frame assembly on to the tripod base** making sure that both the upper and lower locating angles are correctly engaged.

**The winch assembly must now be moved into its operational position.** To do this, **release the winch break lever** by raising it slightly, then **rotate the winch anti-clockwise and lower the winch arm** as far as it will go. Keep a check on the winch cable to ensure it remains under tension and doesn't become loose on the drum.

With the winch fully extended, **release the winch break lever and swing the transport hook clear of the telescopic assembly.**

**Check that the slide bar lock is fully engaged** (turn clockwise) **before proceeding,** if it will not lock, DO

**NOT USE THE LIFT,** contact your local HSS Lift & Shift Depot for advice.

**Place the cradle on top of the telescopic assembly** ensuring the locating pin is fully inserted.

**Slide the two cross support arms onto the cradle,** one each end, until the spring loaded retainers lock them in position.

**The panel lift is now ready to be used and only requires slight adjustments to accommodate the size of panel being lifted.**

**Extend the end supports to suit the size of panel.** Simply pull out the retaining pin, Slide the support out, release the pin then continue extending until the pin automatically engages into the pre-set distance location.