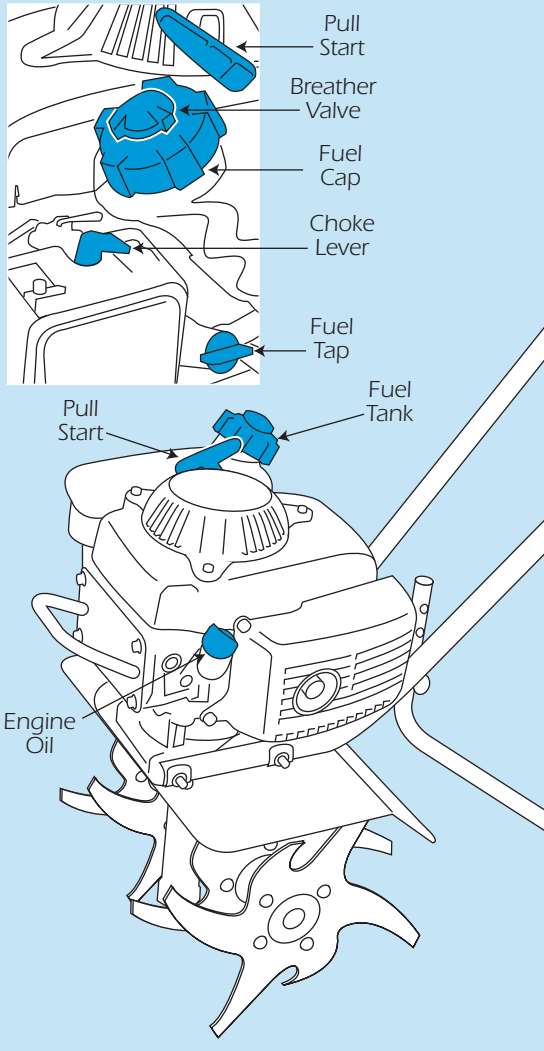


## Engine



## EQUIPMENT CARE

**Never push the equipment beyond its design limits.** If it will not do what you want with reasonable ease and speed, assume you have the wrong tool for the job. Contact your local HSS Hire Shop for advice.

**Keep the equipment clean** - you will find this less of a chore if you clean it regularly, rather than wait until the end of the hire period.

**Regularly check the fuel level and top up as necessary** with unleaded petrol.

**Regularly check the oil level** - when the engine is

cold and on level ground. Unscrew the dipstick, wipe it clean, then replace it into the opening without screwing it back in place. Remove it a second time and verify that the oil level is between the min and max lines, **top up as necessary.**

When not in use, **store the equipment somewhere clean, dry and safe** from thieves.

## FINISHING OFF

**Release the throttle lever to set the engine to idle, close the fuel tap and set the ON / OFF switch to the '0' (OFF) position. Close the breather valve by turning fully clockwise.**

**Reset the depth bar as high as it will go.**

**Hose the machine down to get it as clean as possible** (do this now before the soil dries) **ready for return, to your local HSS Hire Shop.**



## ...any comments?

If you have any suggestions to enable us to improve the information within this guide please fax your comments or write to the Product Manager at the address below

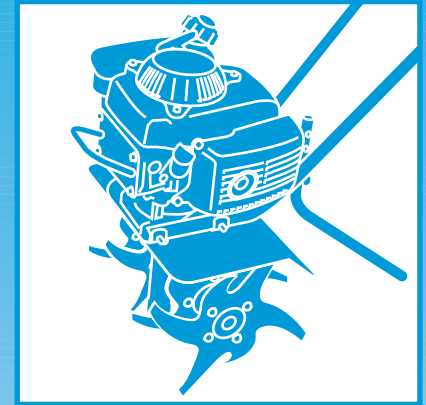
**Fax: 020 8687 5001**

©HSS Hire Service Group Plc 2000 No. 999/01

Group Office: 25 Willow Lane, Mitcham, Surrey CR4 4TS

Web Site: <http://www.hss.co.uk>

# HSS Hire Shops



## Light Duty Tiller

**A lightweight tiller designed for use in small areas previously turned.**



## GENERAL SAFETY

For advice on the safety and suitability of this equipment contact your local HSS Hire Shop.

There is a serious risk of personal injury if you do not follow all instructions laid down in this guide.

The hirer has a responsibility to ensure that all necessary risk assessments have been completed prior to the use of this equipment.

This equipment should only be used by an operator who has been deemed competent to do so by his/her employer.

This equipment should be used by an able bodied, competent adult who has read and understood these instructions. Anyone with either a temporary or permanent disability, should seek expert advice before using it.

Keep children, animals and bystanders away from the work area. Cordon off a NO GO area using cones and either barriers or tape, available for hire from your local HSS Hire Shop.



Never use this equipment if you are ill, feeling tired, or under the influence of alcohol or drugs.



This equipment generates potentially harmful noise levels. To comply with health and safety at work regulations, ear defenders must be worn by everyone in the vicinity.



Wear practical, protective clothing, gloves and footwear. Avoid loose garments and jewellery that could catch in moving parts, tie back long hair.

Ensure the work area is well lit and ventilated, if in doubt, ask about lighting and ventilation equipment at your local HSS Hire Shop.

Make sure you know how to switch this machine OFF before you switch it ON in case you get into difficulty.

Always switch the engine off and wait for moving parts to come to rest before making adjustments to it.

## Exhaust Danger

NEVER operate petrol engines indoors or in a confined space.

The exhaust contains gases that can kill.

Engines, especially the exhausts, get very hot so switch OFF and allow to cool before touching them.

Keep flammable materials well away from engine and exhaust.

Survey the area to be dug and ensure that there are NO hidden services (electric cables, soil pipes etc) below the work area. If in doubt, use a cable-avoiding tool available from your local HSS Hire Shop.

## Fuel Safety

NEVER refuel while the engine is hot or running. Never smoke or allow naked lights into the area while refuelling.

Never inhale fuel vapour.

ALWAYS mop up any spillage as quickly as possible, and change your clothes if you get fuel on yourself.

ALWAYS store fuel in a purpose-made sealed container, in a cool, safe place well away from the work area.

Be careful if your view is obstructed, avoid using the machine under low branches where you are forced to crouch to pass under.

The digging tines can cause serious injury. Always keep feet and hands well away from the tines taking special care when starting.

Make sure that anyone in the immediate work area is warned of what you are doing.

Check the condition of the equipment before use. If it shows signs of damage or excessive wear, return it to your local HSS Hire Shop.

Ensure the guard is correctly fitted and secure before starting work.

## GETTING STARTED

Clear the area to be cultivated of everything that could get in the machines way – sticks, stones, washing lines etc.

Any long grass should be cut and cleared, as this will clog the tines and reduce the depth of the dig.

Ensure the soil is in a suitable condition to be dug, soil should be neither too wet nor too dry.

Adjust the rear depth bar to suite the depth you require, this is held in position with an 'R' clip & pin. The higher the bar the deeper the dig.

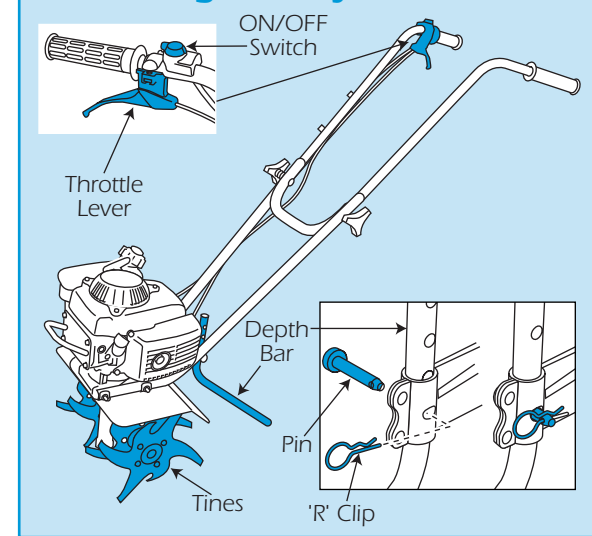
It is essential to familiarise yourself with all the controls before starting.

With the machine on firm level ground, check fuel and oil levels (see EQUIPMENT CARE).

Set the ON/OFF switch, located on the right hand control handle, to the 'I' (ON) position. If at any time you get into difficulty, move the switch to the 'O' (OFF) position to stop the engine.

Open the breather valve (fitted to the fuel cap) three full turns anticlockwise. If the breather valve is not opened, the engine will be starved of fuel. However, the valve must always be closed when the machine is not in use. Open the fuel tap by turning quarter turn anticlockwise and set the choke – fully closed if starting from cold, half closed if the engine is warm.

## Light Duty Tiller



The engine is fitted with an automatic clutch, which engages the tines as the engine speed increases. It is possible that the tines may turn when starting the engine, so make sure you grip the control handle firmly when starting the engine. Two or three brisk pulls on the starter cord should now start the engine.

Once the engine has warmed up, fully open the choke and switch the engine OFF.

## BASIC TECHNIQUES

To engage the tines, squeeze the throttle lever on the right hand control handle. To stop the tines rotating and set the engine to idle, simply release the throttle.

When digging a strip of earth, tilt the machine forward while holding it back (it will try to run over the surface) until it begins to cut into the soil, then allow it to progress at its own rate until the strip is complete.

If the unit becomes stuck in one position, tilt it back to allow it to progress.

## Stone Alert

Keep a lookout for bricks, large stones, bits of wood, wire etc.

Running into debris could cause serious damage to the digger.

At the end of the strip release the throttle and turn the machine round ready for the next run.

Repeat the process until the entire area has been dug.

To stop in an emergency simply release the throttle lever.