

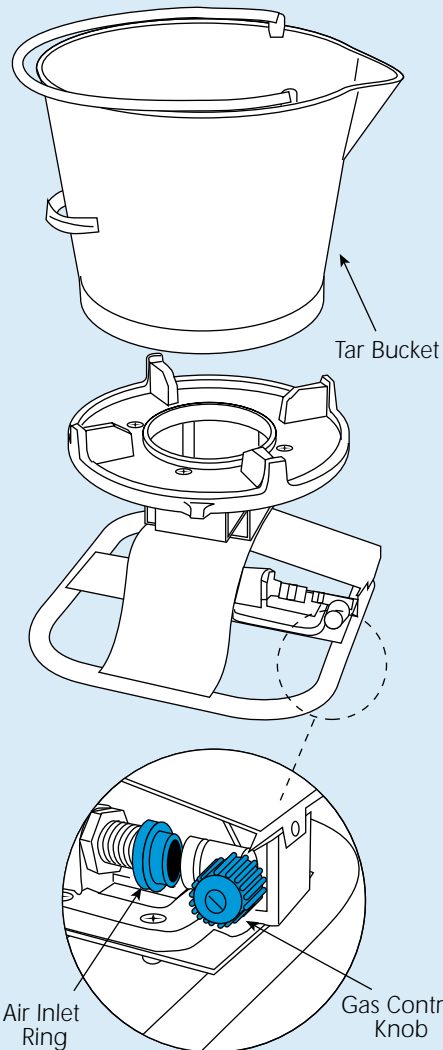
Tar Furnace & Flame Gun

Propane fired burner for melting small quantities of bitumen & 3 prong flame gun for roof repairs and similar jobs.



Code 50330/50329/62610

Tar Furnace



BASIC TECHNIQUES

If using a Tar Bucket...
Break the bitumen into manageable pieces before adding it to the bucket for melting.

Add chunks of bitumen to the bucket a few at a time and melt to give the quantity required. However never allow the bucket to become more than half full.

If using a Flame Gun...

Hold the Flame Gun, with your hand on the coil handle and the rear bracket resting on your elbow. Work away from the cylinder at all times.

Do not leave the Flame Gun running between jobs, if you do rest the gun when on, be aware of the direction of the flames.

EQUIPMENT CARE

Never use a Tar Furnace or Flame Gun except for their intended purpose, if they will not do what you want, assume you have the wrong equipment for the job. Contact your local HSS Hire Shop for advice.

Keep the equipment clean. You will find less of a chore if you clean it regularly, rather than wait until the end of the hire period.

Handle gas bottles with care. Any protective plugs supplied must be fitted to the valve when not in use.

When not in use, store the equipment somewhere clean, dry and safe from thieves.

Remember, propane regulators have a reverse thread- turn them anti-clockwise to tighten, clockwise to undo. To avoid damaging the thread, always fit the regulator with its protective cap.

FINISHING OFF

Turn off the gas supply at the cylinder's valve and wait for the burner to go out. You can now disconnect the gas regulator and turn off the gas control knob.

If using a Tar Furnace...

Leave the equipment to cool for at least a couple of hours, before removing or returning it. Ensure any bitumen residue has solidified and that it has cooled enough to be handled safely without gloves.

If you do remove the gas bottle, check the valve for leaks before fitting its protective plastic cap.



©HSS Hire Service Group Plc 1997 No. 547/01

Group Office: 25 Willow Lane, Mitcham, Surrey CR4 4TS

GENERAL SAFETY

For advice on the safety and suitability of this equipment contact your local HSS Hire Shop.

Keep children, animals and bystanders away from the work area.

Never use this equipment if you are ill, feeling tired, or under the influence of alcohol or drugs.

This equipment should only be used by a competent person who has read and understood these instructions.

Ensure the area is adequately ventilated to prevent the build-up of toxic fumes. Never use this equipment indoors.

Gas Safety

Propane gas is highly flammable. It is also heavier than air, increasing the risk of explosion in the event of a leak. So... ALWAYS double-check all gas supply connections for leaks (smear them with washing-up liquid and look for bubbles). ALWAYS handle gas bottles, hoses and connectors with care. ALWAYS store bottles in a cool, safe place: away from heat and ignition sources and away from drains and other places where leaked gas could collect.

NEVER smoke or allow naked lights into the area while changing gas bottles.

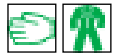
NEVER test for leaks with a naked light!



Safety Goggles MUST be worn by everyone in the work area.



Gas cylinders are heavy, never attempt to lift a cylinder, full or empty, by your self. Always get help.



Wear practical, protective clothing, gloves and footwear. Avoid loose garments and jewellery that could interfere with the work or fall in the path of the flame.

Never use this equipment if highly flammable vapours - petrol or paint thinner fumes for example - are present, nor in a dusty environment.

Keep combustible materials at a safe distance- at least 1.5.m (5ft).

Keep gas cylinders upright at ALL times, during use, transporting and when stored. Don't drop or knock them as damaged cylinders can be dangerous.

Always turn off the equipment when not in use, leaving it to cool before handling it. Never leave it turned on and unattended.

Check the condition of the equipment before use. If it shows signs of damage or excessive wear, return it to your local HSS Hire Shop.

Gas Leaks

IF YOU SUSPECT A GAS LEAK....

Tell everyone in the vicinity to turn off or put out anything that could ignite the gas, unless this involves operating electrical switches (most generate a tiny spark).

Open doors and windows, then take all gas bottles outside check that their valves are closed.

Test each valve for leakage before replacing its plastic cap and contacting your local HSS Hire Shop.

IF A LOT OF GAS HAS ESCAPED....
Evacuate area and call the Fire Brigade.

Information on COSHH regulations is available from your local HSS Hire Shop.

FROST WARNING

Liquid gas can cause severe 'freeze burns' so avoid skin contact by wearing gloves when making connections.

This cooling effect may also result in the formation of frost around cylinder connections. Having satisfied yourself that this is not due to a leak, you can ignore it or wipe it off with a cloth.

Never apply heat to the cylinder.

GETTING STARTED

If using a Tar Furnace...

Empty any water out of the tar bucket/s. Hot bitumen and water makes a dangerous combination.

Set the equipment up on firm level ground and screw the gas regulator onto the propane cylinder's valve, turning it anti-clockwise to tighten (it has a reverse thread) and tighten up with the spanner provided.



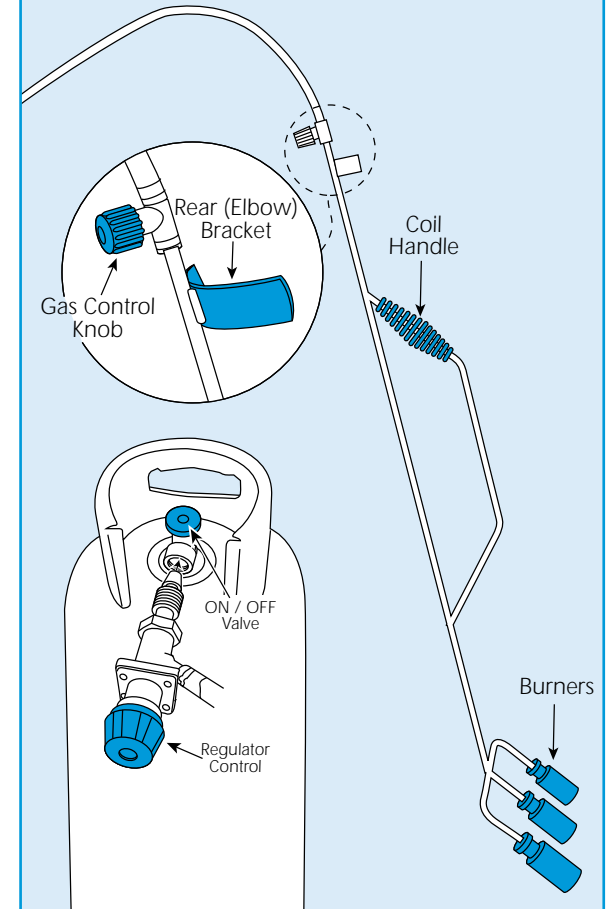
Fully close the furnaces' gas control knob and adjust the air inlet ring - half open for still conditions, fully closed for windy conditions.

Check valves and connections for leaks and tighten up as necessary.

Open the valve on the gas cylinder, slowly open the furnaces' gas control then apply a lighted splint to the centre of the furnace.

If the furnace fails to light, turn off the gas and wait a few moments to let the gas clear before trying again.

Flame Gun



Place the tar bucket on top of the furnace and gradually open up the gas control knob as the furnace and bucket warms up - the flame could go out if you do this too quickly.

If using a Flame Gun...

Set the cylinder up on firm level ground and screw the gas regulator onto the propane cylinder's valve, turning it anti-clockwise to tighten (it has a reverse thread) and tighten up with the spanner provided.

Fully close the Flame Guns gas control knob then check valves and connections for leaks and tighten up as necessary.

Open the valve on the gas cylinder, slowly open the Flame Guns gas control then apply a lighted splint to the 3 burner heads.

If the burner heads fail to light, turn off the gas and wait a few moments to let the gas clear before trying again.