

BASIC TECHNIQUES

Switch the machine on.

Keeping a firm hold of the control handle, guide the compactor over the surface. Work over the surface from left to right then from top to bottom.

The most important thing to remember when using the compactor is that the material being compacted will not automatically level out to a perfect finish.

As you compact the area, dips will occur which will need to be filled. For best results, compact the whole area then switch the compactor OFF while you fill the dips with more material. Then re-compact.

EQUIPMENT CARE

Never push the equipment beyond its design limits. If it will not do what you want with reasonable ease, assume you have the wrong tool for the job. Contact HSS Hire for advice.

Always switch OFF the compactor before making any adjustments to it.

Keep the equipment clean. You will find this less of a chore if you clean up regularly, rather than wait until end of the hire period.

When not in use, **store the equipment somewhere clean, dry and safe.**

FINISHING OFF

turn OFF at the switch. Disconnect the 110V mains cable from the socket. Stopping the motor. Swing the control handle back to the transport position, ready for return to HSS Hire.



... have you been trained

The law requires that personnel using this type of equipment in the workplace must be competent and qualified to do so. Training is available at HSS Training 03457 66 77 99

...any comments?

If you have any suggestions to enable us to improve the information within this guide please e-mail your comments or write to the Safety Guide Manager at the address below e-mail: safety@hss.com

©HSS Hire Service Group Ltd 2019 No. 678/01

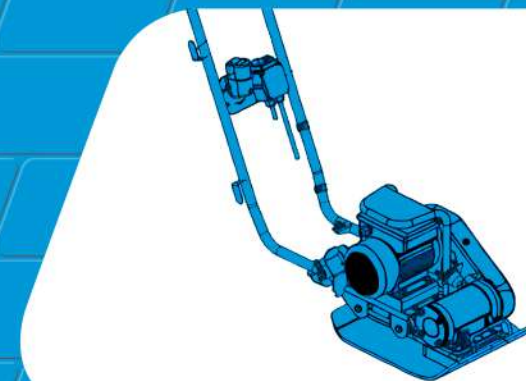
76 Talbot Road, Old Trafford, Manchester, M16 0PQ

Web Site: <http://www.hss.com>

678/01

Operating & Safety Guide 678

HSS Hire



110V Plate Compactor

For compacting hardcore, sand and gravel



Code 47417

GENERAL SAFETY

For advice on the safety and suitability of this equipment contact HSS Hire.

There is a serious risk of personal injury if you do not follow all instructions laid down in this guide.


The hirer has a responsibility to ensure that all necessary risk assessments have been completed prior to the use of this equipment.


This equipment should only be used by an operator who has been deemed competent to do so by his/her employer.


This equipment should be used by an able bodied, competent adult who has read and understood these instructions. Anyone with either a temporary or permanent disability, should seek expert advice before using it.

Keep children, animals and bystanders away from the work area. Cordon off a NO GO area using cones and either barriers or tape, available for hire from HSS Hire.

 Never use this equipment if you are ill, feeling tired, or under the influence of alcohol or drugs.

 Wear practical, protective clothing, gloves goggles and footwear. Avoid loose garments and jewellery that could catch in moving parts, tie back long hair.

 This equipment generates potentially harmful noise levels. To comply with Health & Safety at Work regulations, ear defenders must be worn by everyone in the vicinity.

 This equipment is heavy (up to 84kg depending upon model), never attempt to lift it on your own, always get help.

Ensure the work area is well lit and ventilated, if in doubt, ask about lighting and ventilation equipment at HSS Hire.

Do not work near flammable gases or liquids, petrol or paint thinner fumes for example. Keep combustible materials at a safe distance - at least 5m.

Make sure you know how to switch this machine OFF before you switch it ON in case you get into difficulty.

Never leave the unit running and unattended.

Always switch the engine off and wait for moving parts to come to rest before making adjustments to it.

Do not try to repair or modify the equipment. If this equipment can't do what you expect or fails to work return to HSS Hire.

ELECTRICAL SAFETY

Most HSS electrical machines plug into a standard 240V, 13amp power socket. However 110V tools (with a round yellow plug) must be provided with a suitable 110V generated supply, or powered from the mains via a suitable 110V transformer.

If the equipment fails or if its plug or lead gets damaged, return it. Never attempt to repair it yourself.

Keep cables out of harm's way and clear of the work area.

Extension leads should be fully unwound and loosely coiled away from the equipment. Never run them through water, over sharp edges or where they could trip someone.

Never lift or move this equipment by its power supply cable.

Keep the equipment dry, using electrical equipment in very damp or wet conditions can be dangerous.

 To reduce the risk of electric shock, use a suitable RCD (Residual Current-Operated Device) available from your local HSS Hire. Or power equipment from a mains circuit with a built-in RCD.

The vibrating plate is fitted with an NVR (No Volt Return) switch. The switch will only stay in the ON position if there is a power supply. If the power supply is interrupted, for what ever reason, the switch will move to the OFF position. This safe guards the user so that when the power is restored, the vibrating plate will not start without warning.

Ensure the machine and power socket are switched OFF before plugging into the power supply.

GETTING STARTED

Take the compactor to where it is required.

DO NOT use a mechanical hoist on the hand lifting points. Transporting the PCLX 12/40E is a 2 person operation. Use the provided hand lifting points.

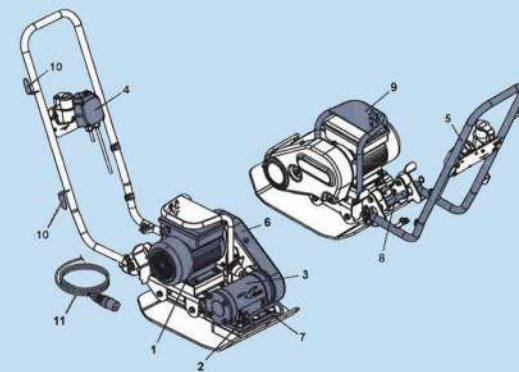
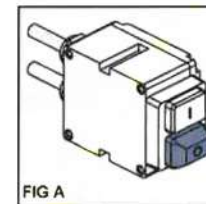
NEVER leave the motor running whilst transporting or moving the PCLX 12/40E, even if it is only a short distance.

Connect the extension lead to the power socket. Switch the machine on and use the control handle to start or turn the PCLX 12/40E. The vibrator will not only cause the baseplate to vibrate but will also cause it to travel forward. During normal operation you should not have to push the PCLX 12/40E but allow it to travel at its own pace. The speed of travel will be determined by the condition of the surface being compacted. If the surface to be compacted is on a slope, great care must be taken when controlling the PCLX 12/40E's direction of travel. If necessary, use a suitable rope attached to the PCLX 12/40E at a low point on the chassis, to allow a helper to take part of the PCLX 12/40E's weight. Work up and down a slope not across.

Work the PCLX 12/40E over the surface in an organised pattern until the required compaction has been achieved.

Where there are a number of different layers to be compacted on top of each other, compact each layer individually.

To stop the motor depress the RED button (O) (FIG A)
To start the motor plug into the power supply. Depress the GREEN button (I) (FIG A).



Machine type:

Single Direction
Plate Compactor

DO NOT use a Mechanical
Hoist on the Hand Lifting Points
(No's 7 & 8) and Motor Guard (No. 9)

1. Electric Motor
2. Vibrator Unit Oil Plug
3. Vibrator Unit
4. On / Off Switch
5. Operating Handle
6. Belt Guard
7. Hand Lifting Point
8. Hand Lifting Point (Strut)
9. Motor Guard
10. Cable Storage Hook
11. Power Cable

Model	110V 50Hz
Weight (kg)	50
Motor Power (Hp / kW)	2.0 / 1.5
Motor RPM	2800
Nominal Voltage (v)	110
Full Load Current (A)	14.2
Motor Protection Rating	IP44
Power Consumption (kW)	0.94
Vibrator Force (kN)	12
Frequency (Hz)	50
Minimum Transformer Size (kVA)	3.3
Maximum Travel Speed (m/min)	24
Max. Gradient (°)	20
Compaction Force (kg/m ²)	388
3 Axis Vibration* (m/sec ²)	3.97
Usage Time (Mins)	190
Sound Power Level (dB(A))	104

* Minimum level to EN500 Part 4