

**Adopt a stable stance that gives a good view of the off cut while keeping you clear of the saw blade.** In particular, avoid placing your leg or fingers directly under the cut.

Before switching ON, **rest the front of the sole plate on the work**, then **start the saw by squeezing in the ON/OFF trigger**, and let it get up to speed before bringing the blade into contact with the work.

**Holding the saw with both hands, guide it** along the cutting line, **supplying just enough pressure to ensure reasonable progress.**

**Negotiate any angled or curved cuts as smoothly and slowly as possible.** Never try to force the blade round corners and never twist it violently – it will snap.

**Remove the saw from the cut before switching OFF** and wait for the blade to stop before putting it aside.

**It is possible to start a cut away from an edge.** Simply pre-drill a hole in the waste close to the required starting point and insert the blade through it.

**To produce a bevelled cut, release the shoe lever slide the sole plate backward, adjust the sole plate's angle then slide the sole plate forward and re-tighten the lever.**

**You can also adjust the blade's stoke**, using the switch on the side, **to suit the density of material** you are cutting. As a rough guide, use setting 0 for metal, 1 for hardwoods and 2 for softwoods.

Air can be diverted from the motor to the point of the cut by moving the air switch up, this will stop saw dust blocking your view of any guide marks.

### Quick Tip

Because jigsaws cut on the 'up stoke', the workpiece's upper - most face may be marred by chipping or splintering. Marking cut lines with a knife may reduce damage, but it is still best to saw with the work face down.

When using the saw to cut wood along the grain (its' known as 'ripping') temporarily pin or clamp a timber batten to the work and use that to guide the saw.

### EQUIPMENT CARE

**Never force the saw through the work.** If it jams in the cut, switch OFF, free it and check the blade for damage before continuing.

**Regularly clean out the jigsaw's ventilation slots.** If these clog with dust, the jigsaw's motor could burn out.

**Never work with a blunt or dirty blade.** It not only produces poor work but could overload the saw's motor. When cleaning or changing blades, though, do remember to switch OFF and disconnect the power pack.

**Never over-tighten nuts, knobs and screws** when making adjustments, particularly when changing blades as you will twist the blade out of alignment.

**Never use the saw to cut through timber containing nails, screws and other obstacles.** It is dangerous and will damage the saw.

### FINISHING OFF

**Disconnect the battery/power pack, then remove the blade** (simply reverse the fitting instruction).

**Brush off any dust and dirt**, paying particular attention to the motor's ventilation slot.

**Place the saw, its two batteries and charger into its carry case ready for return** to your local HSS Hire Shop.



### ...any comments?

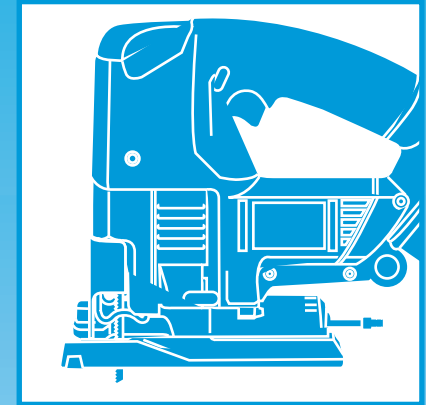
If you have any suggestions to enable us to improve the information within this guide please fax your comments or write to the Product Manager at the address below

**Fax: 0181-687 5001**

©HSS Hire Service Group Plc 1998 No. 868/01  
Group Office: 25 Willow Lane, Mitcham, Surrey CR4 4TS

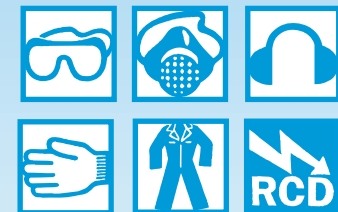
Web Site: <http://www.hss.co.uk>

## HSS Hire Shops



# Cordless Jigsaw

For cutting lines and curves in wood, metal and plastic sheets away from a power supply.



## GENERAL SAFETY

For advice on the safety and suitability of this equipment contact your local HSS Hire Shop.

There is a serious risk of personal injury if you do not follow all instructions laid down in this guide.

This equipment should be used by an able bodied, competent adult who has read and understood these instructions. Anyone with either a temporary or permanent disability should seek expert advice before using it.

Keep children, animals and bystanders away from the work area.



Never use this equipment if you are ill, feeling tired, or under the influence of alcohol or drugs.



Safety Goggles MUST be worn by everyone in the work area.



Some materials, when cut, contain substances which, when inhaled, can be harmful to health. A suitable mask must be worn when using this equipment.



This equipment generates potentially harmful noise levels. To comply with health and safety at work regulations, ear defenders must be worn by everyone in the vicinity.



Wear practical, protective clothing, gloves and footwear. Avoid loose garments and jewellery that could catch in moving parts, tie back long hair.

Ensure the work area is well lit and adequately ventilated. Dust extraction and ventilation equipment is available for hire, contact your local HSS Hire Shop for information and advice.

Always switch OFF and disconnect the battery when not in use. Never leave it unattended.

Having switched OFF, always wait for the blade to come to rest before placing the saw down.

Check the condition of the equipment before use. If it shows signs of damage or excessive wear, return it to your local HSS Hire Shop.

Do not work near flammable gases or liquids, petrol or paint thinner fumes for example. Keep combustible materials at a safe distance - at least 5m.

Make sure you know how to switch this machine OFF before you switch it ON in case you get into difficulty.

Keep the work area tidy, do not work in areas where you are forced to stand on loose debris or on a slippery uneven surface.

NEVER start the saw with the blade in contact with the work piece.

Never use the saw to cut asbestos sheeting, or any other material that may yield hazardous dust.

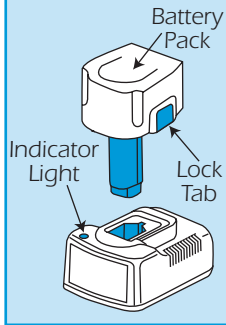
And take care when changing or fitting blades - they are sharp.

## ELECTRICAL SAFETY

The battery charger is designed to plug straight into a standard 240V 13A power socket, however, power must not be supplied from a generator.

To remove the battery from the saw, press the lock tabs in with finger and thumb and pull the battery clear.

### Battery Charger



To recharge, insert the battery pack into the charger, it will only go in one way. Then plug the charger into a suitable power supply and switch the power ON, recharging is fully automatic.

The red indicator lamp will blink while the battery is being charged and will remain on once charging is complete.

The charger will recharge the battery in approximately 1 hour.

Using the charger in very damp or wet conditions can be dangerous.



To reduce the risk of electric shock, use a suitable RCD (Residual Current-Operated Device) available from your local HSS Hire Shop, or power the charger from a mains circuit with a built-in RCD.

If the jigsaw fails, or if the charger's power supply cable or plug gets damaged, return it. Never try to repair it yourself.

If an extension lead is used for the charger it should be fully unwound and loosely coiled, away from the equipment. Never run leads through water, over sharp edges or where they could trip someone.

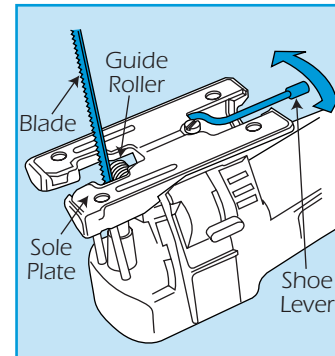
Never carry or pull the charger by its power supply cable.

## GETTING STARTED

Having double-checked that the battery is disconnected, fit the jigsaw with the appropriate blade for the job.

Raise the cap on top of the jigsaw, and turn anti-clockwise three or four times to open the saw's chuck.

Push the blade into the chuck, holding it at right-angles to the normal cutting line, then twist until the



teeth face forward and the rear of the blade sits in the guide roller.

Turn the cap clockwise until a click is heard, the chuck will then be fully tightened up and will hold the blade firmly in place.

Finally push the cap halfway down (the cap will free wheel) align with the top handle and push back into its original position.

## Blade Choice

If in doubt, ask at your local HSS Hire shop about the right blade for the job. Blade selection may depend on the material you are cutting, its thickness, whether you are cutting wood along or across the grain and the quality of finish required.

## BASIC TECHNIQUES

Use a vice or clamps to hold the work steady and reduce vibration. At the same time, ensure nothing will get in the saw's way and that off-cuts are supported so they cannot trap the saw blade.

Fit the power pack to the saw, simply push into the rear of the handle until it clicks into position.

