

## Spillages

The floor of the HSS Chemical Store is fitted with a metal grille to provide a safe sump for liquid spillages and leaks.

If you should find liquid in the sump check the COSHH information of the chemicals stored. Now empty in accordance with the requirements of COSHH.

That done, drain the sump into a suitable container by unscrewing the cap of the drain-tap, then flush out with plenty of water. Finally, replace the cap and allow the interior of the Store to dry out, with the lid open, before refilling.

Always dispose of spilled chemicals safely:-  
NEVER allow them to soak away into the ground.  
NEVER tip them into the public sewage system.

**Handle the equipment with care.** Avoid dropping it, knocking it, or otherwise exposing it to damage.

**Never expose the equipment to dangerous and/or corrosive chemicals.**

**Keep the equipment clean.** You will find this less of a chore if you clean up regularly, rather than wait until the end of the hire period.

**When not in use, store the equipment somewhere clean, dry and safe** from thieves.

## Locks & Keys

Always keep the keys to the Chemical Store in a safe place and never force them in the locks.

If the keys should get lost or damaged, contact your local HSS Hire Shop for advice.

## FINISHING OFF

**Check the COSHH information ensuring you are wearing the appropriate personal protective equipment for the chemicals stored**

**Remove all chemicals from the Store**, then unscrew the drain-taps cap and **wash out the Store's interior with plenty of clean water.**

Finally, **clean the exterior of the Store with a damp cloth** (never use cleaning agents) ready for return with the keys to your local HSS Hire Shop.

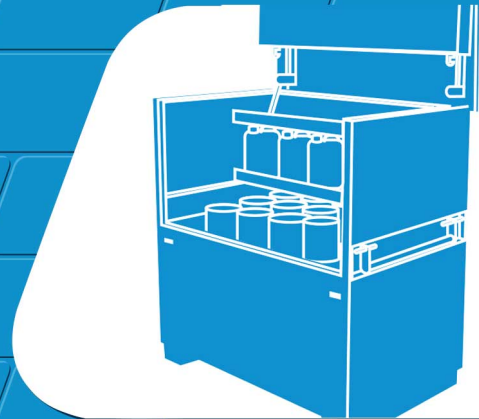


©HSS Hire Service Group Ltd 2020 No. 826/01

76 Talbot Road, Old Trafford, Manchester, M16 0PQ

www.hss.com

# HSS Hire



## Chemical Store

**A rugged steel container designed to securely store chemicals on site. It meets the current H.S.E. guidelines on chemical storage and comes complete with two high security tamper-proof locks.**





Code 50706

## GENERAL SAFETY

For advice on the safety and suitability of this equipment, contact your local HSS Hire Shop.

This equipment has been designed for use by a competent, able-bodied adult who has read and understood these instructions. If you suffer from either a temporary or permanent disability, you must seek expert advice before using it.

Keep children, animals and bystanders away from the Chemical Store.

  Never use this equipment if you are feeling tired, ill, or under the influence of alcohol or drugs.

Check the equipment before use. If it shows signs of damage or excessive wear, return it.

### Important!

Note that, as indicated by its hazard stickers, the HSS Chemical Store is intended for the safe, secure storage of paints, thinners, sealants, adhesives and similar chemicals normally found on ordinary building sites. It is not suitable for the storage of explosives, highly corrosive materials nor materials which give off toxic vapours.

Before storing any flammable substances, chemicals and gases always seek the advice of the Health & Safety Inspectorate, your local Fire Officer, Trading Standards Officer or other qualified body.

Never store different categories of hazardous substances in same Chemical Store without first checking with the manufacturer or supplier of the substances in question.

### Transport Safety

Always ensure the Chemical Store is empty and adequately secured in the vehicle with suitable straps or other restraints before driving off with it. Otherwise, if it moves in transit, it could seriously destabilise the vehicle and potentially cause an accident.

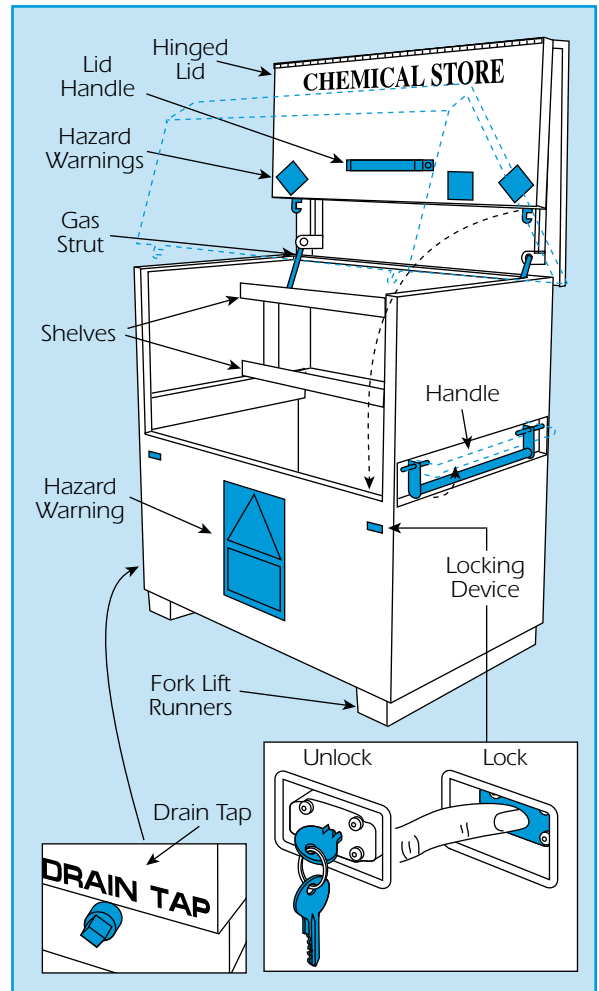
## GETTING STARTED

Always use suitable mechanical handling equipment when moving the Store. It is **HEAVY!** The bottom runners enable it to be easily moved with a fork-lift or pallet truck.

Position the Store on firm, level ground where it can be conveniently used without causing an obstruction.

Where possible choose a cool spot where it will not be exposed to direct sunlight.

Make sure both the top and bottom vents are unobstructed and that air is free to circulate around the Store.



## BASIC TECHNIQUES

Take care not to catch your fingers when opening and closing the lid.

Store dry materials on the rear shelves and liquids on the floor grille.

To lock the Store, close the lid making sure the catches engage, then simply press in the two security locks until they click.

To unlock the lid, simply turn the key in each lock until this pops out and releases the catch.

## EQUIPMENT CARE

Never push the equipment beyond its design limits. If it will not do what you want with reasonable ease, assume you have the wrong store for the job. Contact your local HSS Hire Shop for advice.

# Know Your Symbols

HSS have created clear Icons to inform the hirer of their responsibilities towards the safe use of hire equipment.

These are designed to reduce the amount of different safety information labels required for each product for hire.

## General use PPE / Warning

Clearly marked minimum PPE will be visible on all equipment,



Correct PPE must be worn



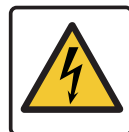
HAV Hand Arm Vibration



Danger Rotating blade



Danger Hot exhaust



Danger Electric shock



Caution Abrasive Wheel



Caution Finger trap

## Fuel and Supply Types



Pe  
Petrol



Di  
Diesel



2t  
2 - Stroke Petrol



EI  
Electric

## Safe Procedures

All hirers must understand and respect the safe procedures of all equipment.

It is the responsibility of the hirer to maintain and return the equipment in a clean condition and good working order.



Ro  
Read OPS Guide



Ou  
Outdoor Use only



HI  
Heavy Lifting



Cd  
Check Oil daily



Cf  
Check Fuel daily



Cw  
Check Water daily



Bc  
Battery Care



Sh  
Safe Height Working



Swl  
Refer to Data Plate



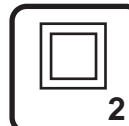
V  
Check Power Voltage Data Plate

## Electrical Safety

Safe wiring procedures.



Ea  
Must be Earthed Class 1



Doi  
Double Insulated Class 2



Enl  
Earth Live Neutral Wire Coding

## Return Responsibility

Charges apply to equipment returned dirty and damaged.



Cc  
Cleaning Charge



Rc  
Repair Charge