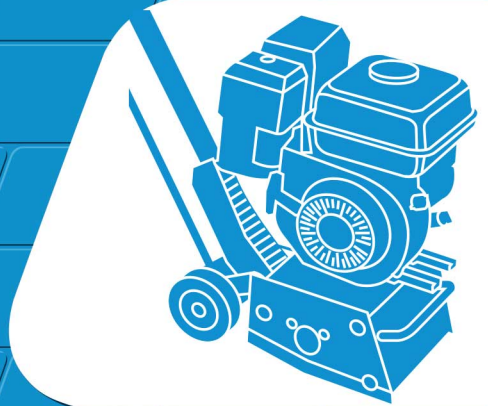


# HSS Hire



## Surface Scalers

For preparing concrete for re-finishing, cutting non slip grooves or removing surface coatings.



Set the throttle control to fast then as an extra precaution, tilt the machine back so that the flails are clear of the ground. Two or three brisk pulls on the starter cord, should now start the engine.

Once the engine has warmed up, reset the throttle to slow and switch the engine OFF.

### BASIC TECHNIQUES

**Electric Model...**  
Switch the motor ON.

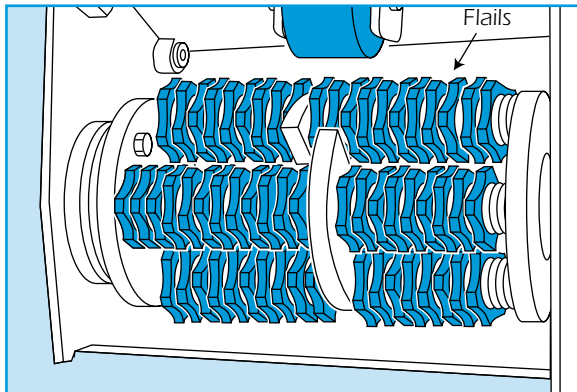
**Petrol Model...**  
Start the engine and set the engines throttle control to fast.

**Which ever you are using...**

With the machine running and the flails rotating, lower the flails, a notch at a time, until in contact with the surface.

Move the machine forward about 300mm then inspect the finish on the surface. If too much or too little has been removed, raise or lower the flails as necessary.

Tackle the area in straight over lapping strips until the entire area has been scaled.



If a great amount has to be removed, work in stages gradually lowering the flails as required.

Take your time and don't over do it. You are more likely to have an accident if you are tired or rushing.

### EQUIPMENT CARE

**Never push the equipment beyond its design limits.** If it will not do what you want with reasonable ease, assume you have the wrong type of equipment for the job. Ask at your local HSS Hire Shop for advice.

**Keep the equipment clean.** You will find this less of a chore if you clean up regularly rather than wait until the end of the hire.

When not in use, store the equipment somewhere clean, dry and safe from thieves.

**If using a Petrol Model...**

**Keep the engine upright at all times.** If it should be tipped over, mop up oil and fuel spillages and contact your local HSS Hire Shop for advice.

**Regularly check the engines fuel level and top up as required** using the correct fuel: lead-free petrol.

**Check the engine oil level daily.** Let the engine cool, stand it on level ground, withdraw the dip stick and wipe clean, replace and withdraw a second time to verify that the oil level is between Min and Max. Top up as required.

### FINISHING OFF

Set the flails to the high setting then...

**If using an Electric Model...**

Switch OFF and unplug the equipment and where applicable, disconnect the dust extraction unit.

Then neatly coil the flex ready for return.

**If using a Petrol Model...**

Set the throttle control to slow then switch OFF the engine wait for the engine to die and for moving parts to stop. Turn OFF the fuel tap, disconnect any dust extraction unit.

**Which ever you are using...**

Give the unit a final clean ready for return to your local HSS Hire Shop.



### ... have you been trained

The law requires that personnel using this type of equipment in the workplace must be competent and qualified to do so.

Training is available at HSS Training

0845 766 7799

### ...any comments?

If you have any suggestions to enable us to improve the information within this guide please e-mail your comments or write to the Safety Guide Manager at the address below  
e-mail: [safety@hss.com](mailto:safety@hss.com)

©HSS Hire Service Group Ltd 2020 No. 658/01

76 Talbot Road, Old Trafford, Manchester, M16 0PQ

[www.hss.com](http://www.hss.com)

Code 43421 / 43426 / 43429


## GENERAL SAFETY

For advice on the safety and suitability of this equipment contact your local HSS Hire Shop.


There is a serious risk of personal injury if you do not follow all instructions laid down in this guide.


This equipment should be used by an able bodied, competent adult who has read and understood these instructions. Anyone with either a temporary or permanent disability, should seek expert advice before using it.

Keep children, animals and bystanders away from the work area.

 Never use this equipment if you are ill, feeling tired, or under the influence of alcohol or drugs.

 Safety Goggles MUST be worn by everyone in the work area.

 Some materials, when removed by this process, contain substances which, when inhaled, can be harmful to health. A suitable mask must be worn when using this equipment. Respiratory protective equipment is available for hire, contact your local HSS Hire Shop for details.

 This equipment generates potentially harmful noise levels. To comply with health and safety at work regulations, ear defenders must be worn by everyone in the vicinity.

 Wear practical, protective clothing, gloves and footwear. Avoid loose garments and jewellery that could catch in moving parts, tie back long hair.

## Exhaust Danger

**NEVER** operate petrol engines indoors or in a confined space.

The exhaust from the engine contain gases that can Kill.

Engines, especially the exhausts, get very hot so switch OFF and allow to cool before touching them.

Ensure the work area is well lit and ventilated, if in doubt, ask about dust extraction and ventilation equipment at your local HSS Hire Shop.

## Fuel Safety

**NEVER** refuel while the engine is hot or running. Never smoke or allow naked lights into the area while refuelling. Never inhale fuel vapour.

**ALWAYS** mop up spillages as quickly as possible, and change your clothes if you get fuel on yourself.

**ALWAYS** store fuel in a purpose-made sealed container, in a cool, safe place well away from the work area.

Do not work near flammable gases or liquids, petrol or paint thinner fumes for example. Keep combustible materials at a safe distance – at least 5m.

Make sure you know how to switch this machine OFF before you switch it ON in case you get into difficulty.

Always switch OFF and unplug the machine before making adjustments to it.

Never carry or pull the equipment by its power supply cable.

Check the condition of the equipment before use. If it shows signs of damage or excessive wear, return it to your local HSS Hire Shop.

Always switch OFF the equipment when not in use.

## ELECTRICAL SAFETY

HSS Surface Scalers must be provided with a suitable 110v generated supply, or powered from the mains via a suitable 110v transformer (minimum 3Kva tool rating).

If the equipment fails, or if its power supply cable or plug becomes damaged, return it. Never try to repair it yourself.

Keep cables out of harm's way, and clear of the work area.

Extension leads should be fully unwound and loosely coiled, away from the equipment. Never run them through water, over sharp edges or where they could trip someone.

Using electrical equipment in very damp or wet conditions can be dangerous.

To reduce the risk of electric shock, use a suitable RCD (Residual Current-Operated Device) available from your local HSS Hire Shop.

Ensure the power socket is switched OFF before plugging into the power supply.

## GETTING STARTED

Set the machine up on the surface to be worked on and set the height control lever fully back to raise the flails clear of the floor surface.

You are advised to fit a dust extraction unit to the scaler, simply attach the extraction hose to the end of the control handle.

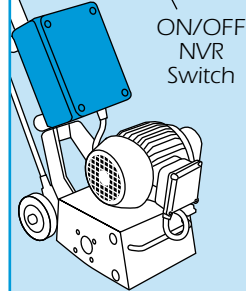
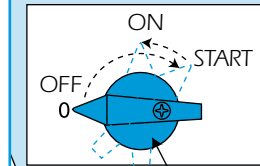
This equipment is available with two drive options, Petrol or Electric. Please follow the instructions for the particular type you have hired.

**Electric Model...**

This model of Surface Scaler is fitted with an NVR (No Volt Return) switch. The switch will only stay in the ON position if there is a power supply. If the power supply is interrupted, for what ever reason, the switch will move to the OFF position.

This safeguards the user when the power is restored, the motor will not start without warning.

## Electric Model



The switch is operated in three stages, OFF, ON and Start. To switch the motor ON move the switch dial clockwise to the ON position then through to the Start position. Return the dial to the ON position to start work. To switch the motor OFF simply turn the dial to the OFF position.

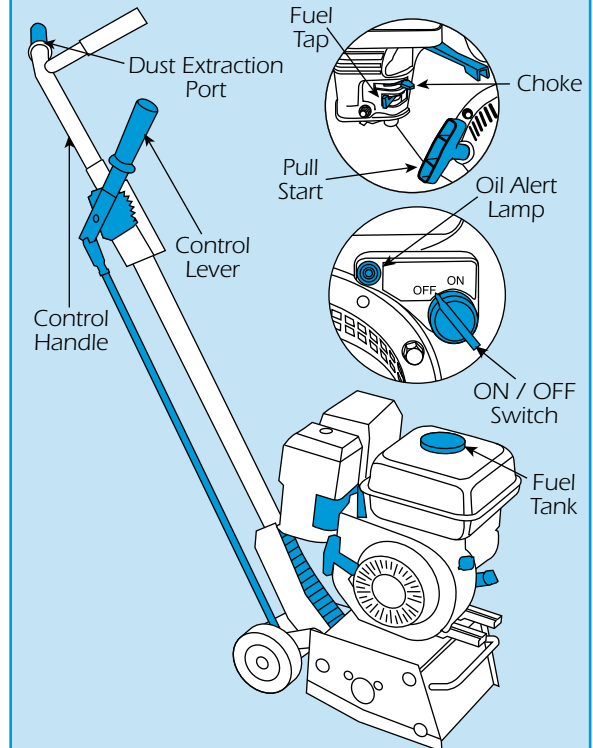
Familiarise yourself with the switch, its operation and its location so that you can operate it quickly in an emergency.

All that now remains is to plug the Scaler into its power supply and switch the supply ON.

**Petrol Model...**

Set the engines ON/OFF switch to ON, open the fuel tap and set the choke – fully closed if starting from cold, half closed if the engine is warm.

## Petrol Model



# Know Your Symbols

HSS have created clear Icons to inform the hirer of their responsibilities towards the safe use of hire equipment.

These are designed to reduce the amount of different safety information labels required for each product for hire.

## General use PPE / Warning

Clearly marked minimum PPE will be visible on all equipment,



Correct PPE must be worn



HAV Hand Arm Vibration



Danger Rotating blade



Danger Hot exhaust



Danger Electric shock



Caution Abrasive Wheel



Caution Finger trap

## Fuel and Supply Types



Pe  
Petrol



Di  
Diesel



2t  
2 - Stroke Petrol



EI  
Electric

## Safe Procedures

All hirers must understand and respect the safe procedures of all equipment.

It is the responsibility of the hirer to maintain and return the equipment in a clean condition and good working order.



Ro  
Read OPS Guide



Ou  
Outdoor Use only



HI  
Heavy Lifting



Cd  
Check Oil daily



Cf  
Check Fuel daily



Cw  
Check Water daily



Bc  
Battery Care



Sh  
Safe Height Working



Swl  
Refer to Data Plate



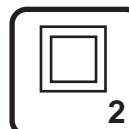
V  
Check Power Voltage Data Plate

## Electrical Safety

Safe wiring procedures.



Ea  
Must be Earthed Class 1



Doi  
Double Insulated Class 2



Enl  
Earth Live Neutral Wire Coding

## Return Responsibility

Charges apply to equipment returned dirty and damaged.



Cc  
Cleaning Charge



Rc  
Repair Charge