

anti-clockwise and lowering to correct height, **tighten the lock bar when adjusted.**

With all adjustable and jack legs positioned, **work around the unit adjusting if necessary** to bring the unit level, there are two level bubbles on the top of the lighting tower. The equipment should be **set so that the unit cannot be rocked.**

Next set the direction of the mast by raising the control lock pin then turn the mast to the desired direction with the mast handles until the lock pin clicks into position. You should now start the engine and **allow it to warm up** so that you can raise the mast.

Set all switches and circuit breakers to OFF.

To start the engine **turn the key to 'GL' (glow)** for a few seconds until the glow indicator light goes out then **turn to 'ST' (Start)**

If the engine fails to start, **ensure that the emergency stop button is released.**

You can now raise the mast, **ensure there are no overhead obstructions which could come in contact with the mast.**

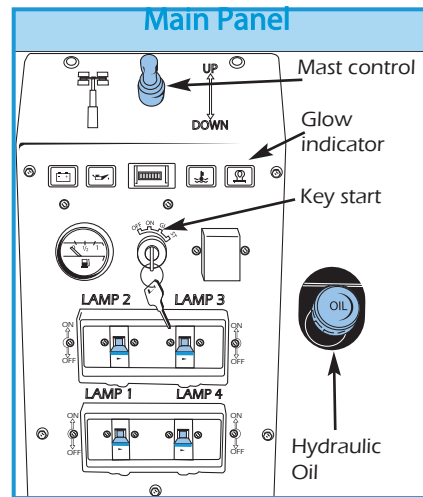
To elevate the mast simply **push the mast control in the 'up' direction** and the mast will elevate to the desired height.

To lower the mast **push the control in the 'down' direction**, ensure the mast is fully lowered.

If the mast will not lower ensure the emergency stop has NOT been pushed in.

To turn the lighting tower off, **turn the key to the 'OFF' position.**

If there are any problems contact your local HSS Hire for advice.



BASIC TECHNIQUES

If not already running, **start the generator** as described in 'GETTING STARTED'.

Once ready set the four lamp MCB's (marked LAMP1 LAMP2 LAMP3 LAMP4) one at a time to ON, ALLOW EACH LAMP TO FULLY ILLUMINATE (2 mins) BEFORE TURNING THE NEXT LAMP ON. It is very important to only switch them on one at a time.

To turn off the lights return the MCB's to OFF.

You must switch ALL lights OFF before you turn OFF the generator with the key

To stop the lighting tower turn the key to the OFF position.

EQUIPMENT CARE

Regularly check the fuel level and top up as necessary with clean fresh diesel.

Note: This unit is fully banded and should be checked daily and drained if necessary.

Regularly check the oil level - when the engine is cold and on level ground. Withdraw the dipstick, wipe it clean, then replace it, remove it a second time and verify that the oil level is between the min and max lines, top up as necessary.

Check hydraulic oil by unscrewing the oil cap which is located on the main panel (this must be done when the **mast is down**), check the dipstick as with the engine oil. If the engine stops, **check to see if the oil pressure lamp on the main panel is not illuminated**, top up as necessary. When not in use, store the equipment somewhere clean, dry and safe from thieves.

FINISHING OFF

Stop the lighting tower by turning the key to the 'OFF' position and wait until the engine stops.

If you have finished with the equipment completely, you should **now clean up the unit.**

If the unit has been used to power auxiliary power, **disconnect all cables before lowering the mast.**

When ready **lower the mast by reversing the instructions to raise it in 'GETTING STARTED'**

Check all lock pins, clamps, stabilisers and legs are correctly stowed and secure ready for return to your local HSS Hire.



... have you been trained

The law requires that personnel using this type of equipment in the workplace must be competent and qualified to do so. Training is available at HSS Training 0845 766 7799

...any comments?

If you have any suggestions to enable us to improve the information within this guide please e-mail your comments or write to the Safety Guide Manager at the address below e-mail: safety@hss.com

©HSS Hire Service Group Ltd 2020 No. 492/01

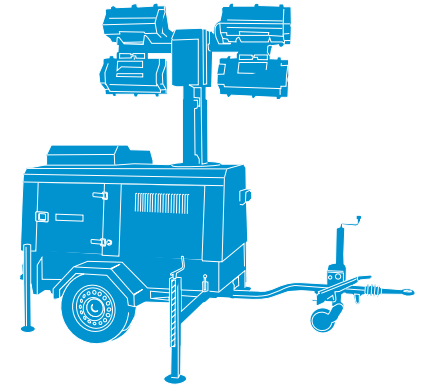
76 Talbot Road, Old Trafford, Manchester, M16 0PQ

www.hss.com

492/01

Operating & Safety Guide 492

HSS Hire



4 Head Metal Halide Lighting Tower

A towable lighting tower with four 1000W metal halide lighting heads



Code 57137

GENERAL SAFETY

For advice on the safety and suitability of this equipment contact your local HSS Hire.


There is a serious risk of personal injury if you do not follow all instructions laid down in this guide.


The hirer has a responsibility to ensure that all necessary risk assessments have been completed prior to the use of this equipment.


This equipment should only be used by an operator who has been deemed competent to do so by his/her employer.

This equipment should be used by an able bodied, competent adult who has read and understood these instructions. Anyone with either a temporary or permanent disability should seek expert advice before using it.

Keep children, animals and bystanders away from the work area. Cordon off a NO GO area using either cones, barriers or tape, available for hire from your local HSS Hire.

 Never use this equipment if you are ill, feeling tired, or under the influence of alcohol or drugs.

 This equipment generates potentially harmful noise. To comply with health and safety at work regulations, ear defenders must be worn by everyone in the vicinity.

 Skin must be covered – wear practical, protective clothing, gloves and footwear.

Exhaust Danger

NEVER operate diesel engines indoor or in a confined space. The exhaust contains gases that can kill.

Fuel Safety

NEVER refuel while the engine is hot or running. Never smoke or allow naked lights into the area while refuelling.

Never inhale fuel vapour.

ALWAYS mop up any spillage as quickly as possible, and change your clothes if you get fuel on yourself.
ALWAYS store fuel in a purpose-made sealed container, in a cool, safe place well away from the work area.

Keep all vents clear of all obstructions. Lights get HOT. Always leave them to cool for a minimum of 15 minutes before touching them.

Towing Safety

Before towing always make sure: The lighting tower is correctly fitted to the vehicle tow bar and the breakaway cable is fitted. The jockey wheel is raised and locked. All lights and brakes work and a number plate is displayed. Ensure the tyres are in a roadworthy condition and inflated to 60psi (4.2 bar). When towing this equipment, DO NOT EXCEED A SPEED OF 60MPH.

Never use the lighting tower near overhead power lines or similar hazards.

Never use the lighting tower in wind speeds greater than 68mph/110kmh.

Do not transport the lighting tower with the mast raised.

Never use the lighting tower unless the adjustable legs and jack legs are fully extended and the feet correctly set on firm, level ground.

Make sure you know how to switch this equipment OFF before you switch it ON in case you get into difficulty. Check the condition of the equipment before use. If it shows signs of damage or excessive wear, return it to your local HSS Hire.

COSHH information sheets are available from your local HSS Hire.

ELECTRICAL SAFETY

We do not recommend this equipment to be used to generate auxiliary power, generators can be hired from your local HSS Hire.

If the auxiliary socket is to be used, the maximum power available is 4kVA at 230V power. If lighting is required when generating auxiliary power the lamps must be switched on and illuminated before the socket is used. Keep power supply cables out of harms way. Extension leads should be fully unwound and loosely coiled, away from the equipment. Never run them through water, over sharp edges or where they could trip someone.

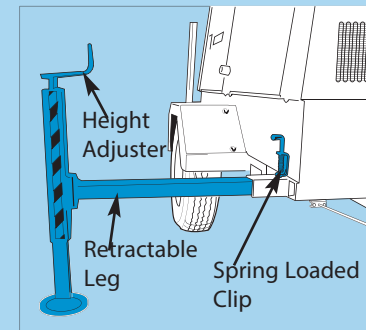
 To reduce the risk of electrical shock, all lamp units and the auxiliary socket are protected via an RCD (Residual Current-Operated Device).

Always turn OFF all electrical switches before connecting or disconnecting equipment powered by the auxiliary socket.

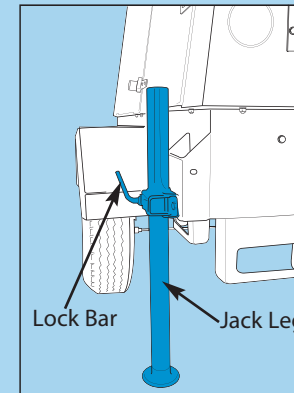
GETTING STARTED

Position lights with care - where there is no risk of them being knocked over and where they wont dazzle anybody.

Front Adjustable Legs



Rear Jack Legs



Stand the unit on a firm, level surface strong enough to bear its weight. DO NOT use on slopes, soft ground or where there is a risk of subsidence.

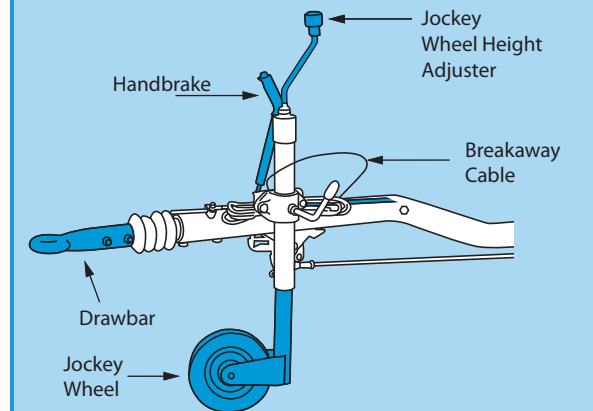
Apply the handbrake and unhook from the towing vehicle, adjust the jockey wheel to the correct height to bring the unit level. Check hydraulic oil, engine oil and fuel levels see 'EQUIPMENT CARE'.

You must now deploy the two adjustable legs and the rear jack legs.

To deploy the adjustable legs, raise the spring loaded lock pin and pull the leg out until the lock pin re-engages, ensure the base plates are in contact with the ground.

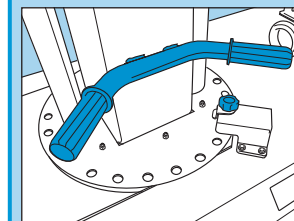
The jack legs are deployed by loosening the lock bar

Hand Brake



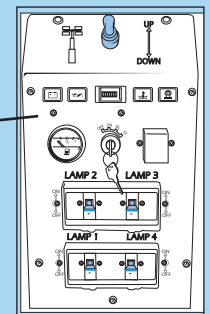
VT1 Lighting Tower

Mast Rotational Control



Emergency Stop

Main Panel



Know Your Symbols

HSS have created clear Icons to inform the hirer of their responsibilities towards the safe use of hire equipment.

These are designed to reduce the amount of different safety information labels required for each product for hire.

General use PPE / Warning

Clearly marked minimum PPE will be visible on all equipment,



Correct PPE must be worn



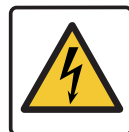
HAV Hand Arm Vibration



Danger Rotating blade



Danger Hot exhaust



Danger Electric shock



Caution Abrasive Wheel



Caution Finger trap

Fuel and Supply Types



Pe
Petrol



Di
Diesel



2t
2 - Stroke Petrol



EI
Electric

Safe Procedures

All hirers must understand and respect the safe procedures of all equipment.

It is the responsibility of the hirer to maintain and return the equipment in a clean condition and good working order.



Ro
Read OPS Guide



Ou
Outdoor Use only



Hi
Heavy Lifting



Cd
Check Oil daily



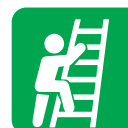
Cf
Check Fuel daily



Cw
Check Water daily



Bc
Battery Care



Sh
Safe Height Working



Swl
Refer to Data Plate



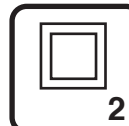
V
Check Power Voltage Data Plate

Electrical Safety

Safe wiring procedures.



Ea
Must be Earthed Class 1



Doi
Double Insulated Class 2



Enl
Earth Live Neutral Wire Coding

Return Responsibility

Charges apply to equipment returned dirty and damaged.



Cc
Cleaning Charge



Rc
Repair Charge