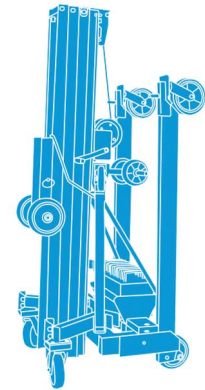


# HSS Hire



## Counter Balanced Genie

A versatile counter balanced manually  
operated stacker.



Code 70150

Give the machine a final clean ready for return to your local HSS.

**Apply the footbrakes before lifting. Never attempt to move the machine, other than a small amount for load positioning, when it is loaded.** To assist in minimising movement apply the directional locks fitted to each of the rear castor wheels.

**Before lifting the load to height, lift it a short distance** and check its security and the stability of the machine.

Make sure that everyone in the area, where the lifting operation will take place, is aware of the job.

**If the job is outside you must take into consideration any environmental issues** such as wind, rain or extreme temperatures.

**Keep the area clear.** Use barriers, cones or tape to cordon off a suitable working area. If additional personnel are involved make sure everyone knows the lifting plan and always have a plan in case of an emergency.

**Make sure that the area, which the load will land, is suitable to take the load.** When lowering the load on to the landing site do not allow the landing site to take the entire load at once. Lower slowly and check that the site is stable before allowing it to take the full load.

Work slowly. Physical effort will be required to raise a load. You must make sure that you do not become tired during the job. If you operate the Superlift slowly you are less likely to have an accident. When the load is being raised the carriage will lift first. Once this is at its highest point the other masts will follow, however to raise these masts a considerable higher effort is required. The machine is operating correctly in this mode.

**Never leave a load unattended.** Never leave the machine at height with or without load on it. Always store the machine in its folded position.

**Never attempt to move the machine for one job site to another without the transport hold down bar being in place.**

### EQUIPMENT CARE

**Do not use the machine beyond its limits.** If the job cannot be achieved easily within a reasonable time and at a reasonable speed, assume you have the wrong tool for the job, and contact your local HSS.

Keep the equipment clean, you will find it less of a chore if you clean the machine regularly.

**If the machine is not in use it should be kept in its stowed position.**

Keep the machine in a dry, clean and safe place and protect from possible theft or unauthorised use.

### FINISHING OFF

Slowly lower the fork assembly. Remove the fork attachment. Replace the transport hold down bar, raising the carriage to offer resistance so keeping the bar in place. Remove the counter weights. Raise the stabiliser legs. Re-site the weight tray and raise the rear legs. Make sure that all retaining pins are replaced. Put the counter weights back into the tray.



#### ... have you been trained

The law requires that personnel using this type of equipment in the workplace must be competent and qualified to do so.

Training is available at HSS Training  
0845 766 7799

#### ...any comments?

If you have any suggestions to enable us to improve the information within this guide please e-mail your comments or write to the Safety Guide Manager at the address below  
e-mail: [safety@hss.com](mailto:safety@hss.com)

©HSS Hire Service Group Ltd 2020 No. LS180/01

76 Talbot Road, Old Trafford, Manchester, M16 0PQ

[www.hss.com](http://www.hss.com)

## GENERAL SAFETY

**For advice** on the safety and suitability of this equipment contact your local HSS Lift and Shift branch.



**There is a serious risk of personal injury if you do not follow all the instructions laid down in this guide.**



The hirer has the responsibility to ensure that all necessary risk assessments have been completed prior to the use of this equipment.

**An operator who has been deemed competent to do so by his/her employer should only use this equipment.**

**The equipment is designed to be used by an able bodied, competent adult** who has read and understood these instructions. Anyone with either a temporary or permanent disability should seek expert advice before using it.

Keep children, animals and bystanders away from the work area. Cordon off a suitable work area using cones, barriers or tape. These products are available from your local HSS.

  Never use the equipment if you are ill, feeling tired, or under the influence of alcohol or drugs.

  **Wear practical protective clothing,** gloves and protective footwear. Avoid loose fitting garments and jewellery that could catch in moving parts and tie back long hair.

**Ensure the load is balanced, stable and that personnel are clear of the raised load.**

**Make sure you know how to operate this equipment safely and are aware of its limitations before you use it.**

Make sure that anyone in the immediate work area is warned of the task.

### WARNING

**This equipment MUST NOT be used to carry personnel.**

**Check the condition of the equipment before you use it.** If you see any signs of damage or excessive wear, contact your local HSS.

**Never exceed the maximum load of the equipment.**

## GETTING STARTED

**Take care when transporting the machine to its workplace.** The machine weighs 227kg. Consider the route and ground conditions, which the machine will be transported over.

Park the machine on firm level ground. **Never attempt to use the machine on soft ground or slopes. Avoid operating over cavities, drains etc which may subside.**

Site the machine close to the operating site.

To lower the rear legs remove the retaining pins. Place the leg on the floor and replace the retaining pin, locking the leg in place. Only lower one leg at a time.

Remove the counter balance weights. **Take care to place them in a safe area make sure that they will not cause any danger to yourself or others.** Remove the weight tray from its mounting. **Replace the tray** at the rear of the legs making sure that the retaining pins are replaced.

**Lower the stabiliser legs gently to the ground** by pressing the release lever at the top of the leg.

Place the counter weights in the tray, now located at the rear of the machine. **Make sure that all eight weights are used.** Never attempt to use the machine without all the weights. Only use the weights provided.

Remove the retaining pin holding the transport wheels and lower the wheels to allow the winch unit to be operated. Replace the retaining pin after repositioning.

Wind the winch to lower the carriage. **By doing this it will allow the transport hold down bar to be removed.** Pull out the transport bar and place it in the stowed position. By operating the winch in the opposite direction the carriage will lift. Raise this until it is at a comfortable height for you to attach the fork assembly. To attach the fork assembly, remove the retaining pin in the carriage. **Slide the fork assembly into the carriage from the top and replace the retaining pin, ensuring that the pin is locked in place. The machine is now**

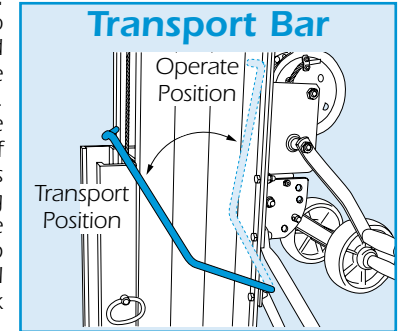
**assembled.** The fork assembly can only be used in this configuration.

## BASIC TECHNIQUES

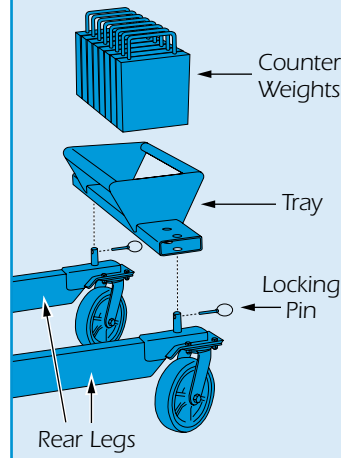
**Always make sure that you know the weight of the load to be lifted and the safe working load of the machine you are using.** Be aware that some machines have different safe working loads for different uses or attachment configurations.

**Make sure that the load to be lifted is stable on the fork attachments.**

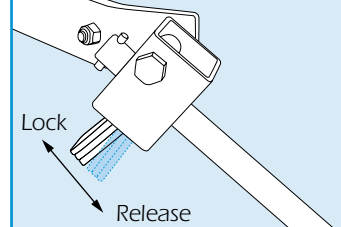
Always aim to secure the load with straps to the fork attachment. Make sure that the centre of gravity of the load is as low as possible, keeping the load stable when lifted. Keep the load central on the fork attachments.



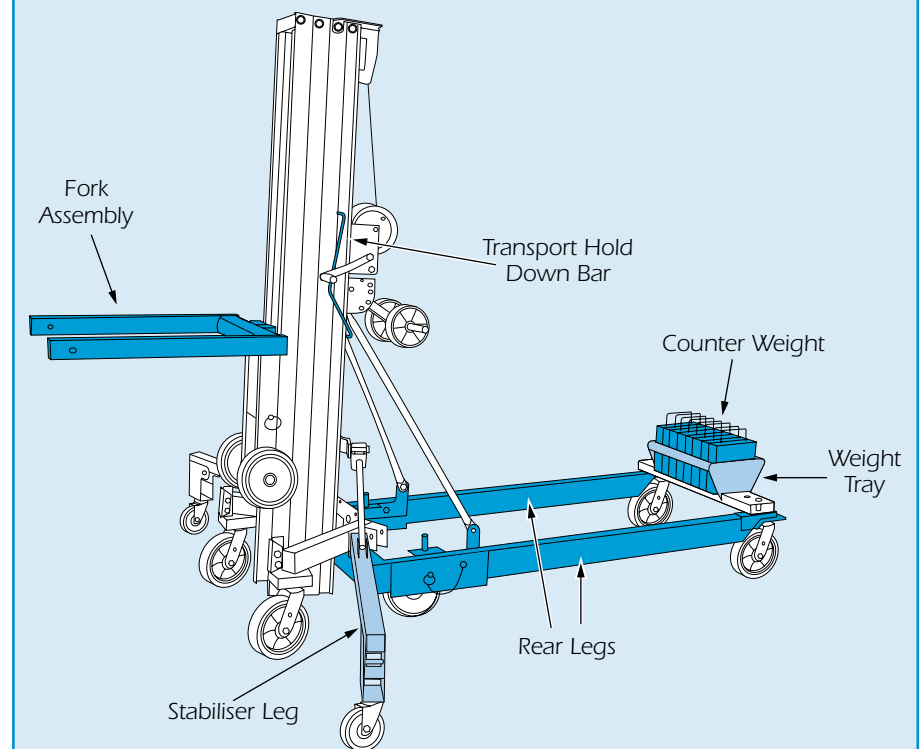
### Counter Weights



### Stabiliser Lock Lever



### Counter Balanced Genie



# Know Your Symbols

HSS have created clear Icons to inform the hirer of their responsibilities towards the safe use of hire equipment.

These are designed to reduce the amount of different safety information labels required for each product for hire.

## General use PPE / Warning

Clearly marked minimum PPE will be visible on all equipment,



Correct PPE must be worn



HAV Hand Arm Vibration



Danger Rotating blade



Danger Hot exhaust



Danger Electric shock



Caution Abrasive Wheel



Caution Finger trap

## Fuel and Supply Types



Pe  
Petrol



Di  
Diesel



2t  
2 - Stroke Petrol



EI  
Electric

## Safe Procedures

All hirers must understand and respect the safe procedures of all equipment.

It is the responsibility of the hirer to maintain and return the equipment in a clean condition and good working order.



Ro  
Read OPS Guide



Ou  
Outdoor Use only



HI  
Heavy Lifting



Cd  
Check Oil daily



Cf  
Check Fuel daily



Cw  
Check Water daily



Bc  
Battery Care



Sh  
Safe Height Working



Swl  
Refer to Data Plate



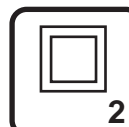
V  
Check Power Voltage Data Plate

## Electrical Safety

Safe wiring procedures.



Ea  
Must be Earthed Class 1



Doi  
Double Insulated Class 2



Enl  
Earth Live Neutral Wire Coding

## Return Responsibility

Charges apply to equipment returned dirty and damaged.



Cc  
Cleaning Charge



Rc  
Repair Charge