

When not in use, **store the equipment somewhere clean, dry and safe** from thieves and unauthorised users.

FINISHING OFF

Fully lower the drum, remove the spindle and give the equipment a final clean ready for return to your local HSS Lift & Shift Depot.



... have you been trained

The law requires that personnel using this type of equipment in the workplace must be competent and qualified to do so. Training is available at HSS Training 0845 766 7799

...any comments?

If you have any suggestions to enable us to improve the information within this guide please e-mail your comments or write to the Safety Guide Manager at the address below e-mail: safety@hss.com

©HSS Hire Service Group Ltd 2020 No. LS69/01

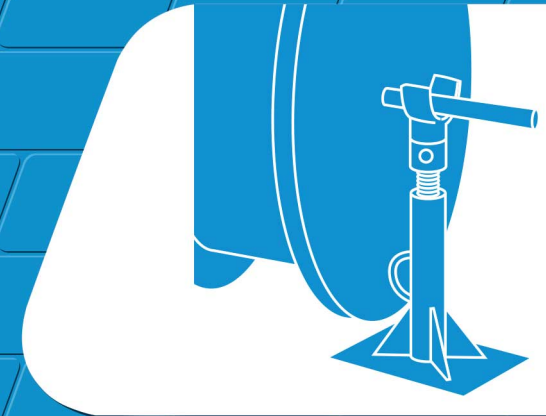
76 Talbot Road, Old Trafford, Manchester, M16 0PQ

www.hss.com

LS69/01

Operating & Safety Guide LS69

HSS Hire



Cable Drum Screw Jacks

Manually operated screw jacks, supplied in pairs, suitable for supporting cable drums of up to 1.6m in diameter and to a maximum of 8 tonne.



Code 70725 / 7 - 70709 / II

GENERAL SAFETY

For advice on the safety and suitability of this equipment contact your local HSS Lift & Shift Depot.

There is a serious risk of personal injury if you do not follow all instructions laid down in this guide.

This equipment is designed to be used by an able bodied, competent adult who has read and understood these instructions. Anyone with either a temporary or permanent disability should seek expert advice before using it.

Keep children, animals and bystanders away from the work area. Cordon off a NO GO area using cones and either barriers or tape, available for hire from your local HSS Lift & Shift Depot.



Never use this equipment if you are ill, feeling tired, or under the influence of alcohol or drugs.



Wear practical, protective clothing, gloves, footwear and a hard hat. Avoid loose garments and jewellery that could catch in moving parts, tie back long hair.



Use this equipment for vertical lifts only and use on a level area able to take the combined weight of the load and the equipment.



Ensure the load is balanced, stable and that personnel stand clear of the raised load.

Safety Warning

This equipment **MUST NOT** be used to lift personnel.

Make sure you know how to operate this equipment safely and are aware of its limitations before you use it.

It is both the hirer's and the operator's responsibility to perform a risk assessment before using this equipment. You are also responsible for the safety of any person in the work area.

Make sure that anyone in the immediate work area is warned of what you are doing.

Be aware of the raised load when close to ceilings or other overhead obstructions.

Never exceed the equipment's safe working load (see chart).

Comm Code	Min Axle Height	Maxi Axle Height	SWL
70725	680mm	990mm	6 tonne
70727	830mm	1140mm	8 tonne
70709	NA	NA	2,000kg
70711	NA	NA	2,000kg

Ensure the work area is well lit and ventilated, if in doubt, ask about lighting and ventilation equipment at your local HSS Lift & Shift Depot.

Lifting Safety

HSS cable drum screw jacks are designed to lift and support, however, never leave them loaded for longer than necessary, and never leave them loaded and unattended.

Use the equipment only on a hard, level surface (such as concrete), capable of supporting the jacks and their load.

Check the condition of the equipment before use. If it shows signs of damage or excessive wear, return it to your local HSS Lift & Shift Depot.

GETTING STARTED

Each jack has a single central head, which pivots to allow the screw thread to be turned without rotating the head.

Before you set the equipment up, it is important that you check the heads and threads for free movement. If either is seized or are difficult to turn, contact your local HSS Lift & Shift Depot for advice.

The jacks are supplied in pairs, but the spindle has to be hired as a separate item. Ensure the spindle you are using is rated to suit the drum you are lifting. If in doubt, contact your local HSS Lift & Shift Depot for advice.

First fully lower the jacks ready for use, to do this insert the tommy bar provided into one of the location holes at the top of the screw thread body. Turn the screw thread body clockwise until fully lowered.

To raise the jack, simply turn the screw thread body anti-clockwise until the required height is achieved.

BASIC TECHNIQUES

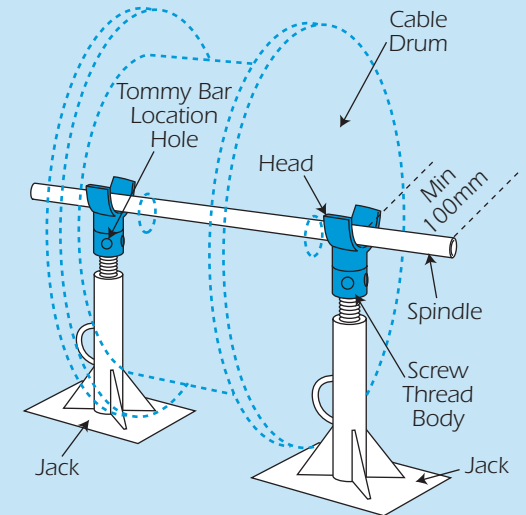
Position the cable drum so that when raised the cable feeds off from the bottom of the drum and not the top.

Insert the spindle through the centre of the drum. Ensure the spindle is long enough to allow a 100mm overhang on each jack, if not, contact your local HSS Lift & Shift depot for a replacement.

Place a screw jack either side of the drum and line the spindle up with the head of each jack.

Raise both jacks equally until the drum is just off the ground, double check that the bases of both jacks are in full contact with the floor surface.

Cable Drum Screw Jacks



Once satisfied that the jacks are balanced and in a stable position you may start to raise the drum. Raise the drum a maximum of 150mm off the ground.

Before taking cable from the drum check that the spindle is horizontal, if not, the drum will wander along the spindle.

Keep your hands and feet clear of the cable drum at all times.

Uncoil the cable slowly, if the drum rotates too quickly there is a risk of the assembly toppling over.

When finished, carefully lower the drum to the ground then remove the spindle.

EQUIPMENT CARE

Never push the equipment beyond its design limits. If it will not do what you want with reasonable ease and speed, assume you have the wrong tool for the job. Contact your local HSS Lift & Shift Depot for advice.

Keep the equipment clean, you will find this less of a chore if you clean it regularly, rather than wait until the end of the hire period.

Know Your Symbols

HSS have created clear Icons to inform the hirer of their responsibilities towards the safe use of hire equipment.

These are designed to reduce the amount of different safety information labels required for each product for hire.

General use PPE / Warning

Clearly marked minimum PPE will be visible on all equipment,



Correct PPE must be worn



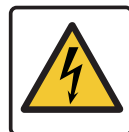
HAV Hand Arm Vibration



Danger Rotating blade



Danger Hot exhaust



Danger Electric shock



Caution Abrasive Wheel



Caution Finger trap

Fuel and Supply Types



Pe
Petrol



Di
Diesel



2t
2 - Stroke Petrol



EI
Electric

Safe Procedures

All hirers must understand and respect the safe procedures of all equipment.

It is the responsibility of the hirer to maintain and return the equipment in a clean condition and good working order.



Ro
Read OPS Guide



Ou
Outdoor Use only



HI
Heavy Lifting



Cd
Check Oil daily



Cf
Check Fuel daily



Cw
Check Water daily



Bc
Battery Care



Sh
Safe Height Working



Swl
Refer to Data Plate



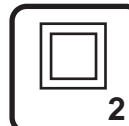
V
Check Power Voltage Data Plate

Electrical Safety

Safe wiring procedures.



Ea
Must be Earthed Class 1



Doi
Double Insulated Class 2



Enl
Earth Live Neutral Wire Coding

Return Responsibility

Charges apply to equipment returned dirty and damaged.



Cc
Cleaning Charge



Rc
Repair Charge