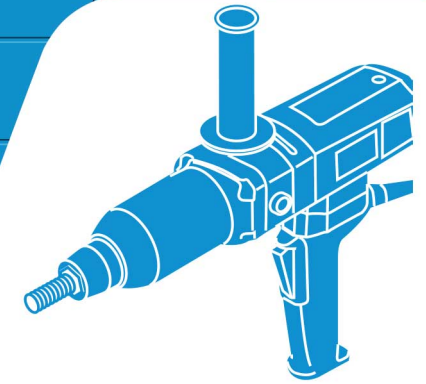


HSS Hire



Electric Impact Wrench

A powerful 1" electric impact wrench which loosens and tightens large nuts and bolts in seconds.



Code 6732I

FINISHING OFF

Before returning the impact wrench to your local HSS Shop, remove the socket from the output drive, wipe over the tool with a clean cloth and neatly coil the cable ready for return.

TO LOOSEN: Check the rotational direction is at 'L' and using the correct type and size of socket securely mounted onto the tool slide the socket onto the nut or bolt head. Hold securely with both hands and squeeze the trigger switch. The tool will start to impact immediately. Once the fastener has broken loose it will start to unthread.

Loose Fasteners

Do not allow a fastener to spin freely once it is no longer engaged with the other threaded part. It may be thrown out of the socket and cause injury.

The impact wrench will not verify a torque setting. If this is required, a torque wrench must be used to confirm and measure the setting.

Always select the correct size sockets and keep the inside of the sockets clean. Do not use worn or cracked sockets.

The suspension eyelet can be used with a suspension system to support the weight of the tool.

EQUIPMENT CARE

Never push the tool beyond its design limits. If it will not do what you want with reasonable ease, assume you have the wrong tool for the job.

If this tool is being used at temperatures below 0°C then it must be run for 3 minutes at no load prior to actual usage. This will ensure thorough lubrication of the impacting mechanism.

Keep the equipment clean. You will find this less of a chore if you clean up regularly rather than wait until the end of the hire period.

Handle the equipment with care. Avoid dropping it, knocking it, or otherwise exposing it to damage.

Don't force the tool - It will do the job better and safer at the rate for which it was designed.

When not in use, **store the equipment somewhere clean, dry and safe** from thieves.

Complete a daily check of the Li-ion battery condition. Do not use a damaged battery with the tool or put it on charge. Report to HSS any identified splits, cracks or damage to the battery. During use if the battery is too hot to touch it may be defective. **Allow the battery to cool down sufficiently.** If the battery remains hot after an hour report it to HSS. **Prepare the tool for return by isolating the battery from the tool and placing it in the tool case storage compartment.**



... have you been trained

The law requires that personnel using this type of equipment in the workplace must be competent and qualified to do so. Training is available at HSS Training 0845 766 7799

...any comments?

If you have any suggestions to enable us to improve the information within this guide please e-mail your comments or write to the Safety Guide Manager at the address below e-mail: safety@hss.com

©HSS Hire Service Group Ltd 2020 No. 629/01

76 Talbot Road, Old Trafford, Manchester, M16 0PQ

www.hss.com

GENERAL SAFETY

For advice on the safety and suitability of this equipment contact your local HSS Hire Shop.

Keep children, animals and bystanders away from the work area.

Never use this tool if you are ill, feeling tired, or under the influence of alcohol or drugs.

This tool should only be used by a competent person who has read and understood these instructions.

Check the tool before use, if it shows signs of damage or excessive wear, return it.



Safety goggles should be worn by everyone in the work area.



NOTE: This equipment generates potentially harmful noise levels. To comply with Health & Safety at Work Act, ear defenders must be worn by everyone in the vicinity.



Wear practical protective clothing, strong footwear and gloves must be worn.

Socket Safety

Ensure the socket is securely fitted onto the output drive. Do not use accessories designed for hand use such as ratchet wrench sockets, they may shatter under the load this tool generates and could cause injury.

Secure the material being fastened. Never hold it in your hand or across your legs.

Ensure the work area is tidy, well lit and ventilated.

ELECTRICAL SAFETY

Most HSS equipment is designed to plug straight into a standard 240V 13A power socket. However 110V models (with a round yellow plug) must be provided with a suitable 110V generated supply, or powered from the mains via a suitable 110V transformer.

Keep flexes and extension leads out of harm's way. Extension leads should be fully unwound and loosely coiled away from the equipment. Never run them through water, over sharp edges, or where they could trip someone.

Remember, using electrical equipment in very damp or wet conditions can be dangerous.

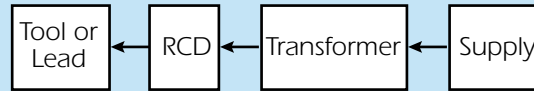


To reduce the risk of electric shock, use a suitable RCD (Residual Current Operated Device) available from your local HSS Hire Shop, or power the 240V (not 110V) equipment from a mains circuit with a built in RCD.

Siting an RCD

When used with a transformer an RCD will only protect the user if fitted between the transformer and the tool being used.

An RCD fitted between the power supply and the transformer only protects up to the transformer.



If the tool fails, or if its flex or plug gets damaged, return it. Never try to repair it yourself.

Never carry or pull the tool by its flex.

Ensure the tool and the power socket are switched OFF before plugging into the power supply.

Always switch OFF and unplug electrical equipment before attempting to maintain or adjust it in any way. Never leave electrical tools unattended while they are plugged in and switched ON.

GETTING STARTED

Ensure the side handle is securely fitted. Do not operate this machine without the side handle.

Attach to the output drive a socket with a 1" square drive specifically designed for use with impact wrenches. Ensure the socket retaining pin is in place.

Hold the impact wrench with both hands, the torque generated, especially when starting, can cause the machine to twist.

To start, switch on the power supply and then squeeze the ON/OFF trigger and keep pressed. The switch cannot be locked ON.

To stop, release the ON/OFF trigger.

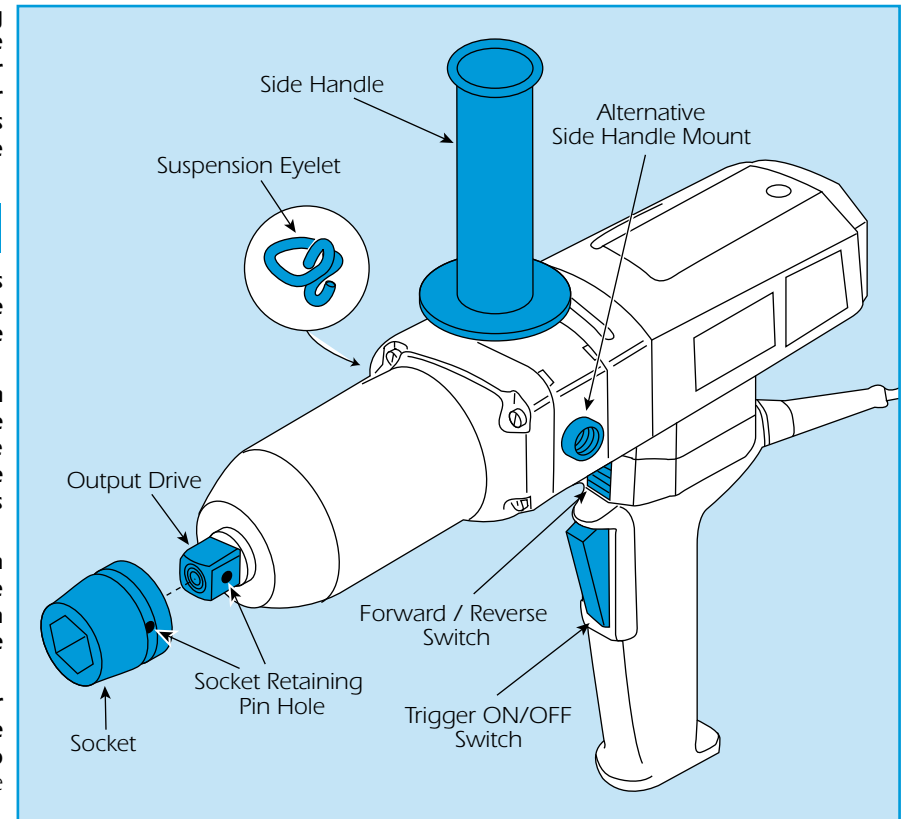
Do not switch ON and OFF while tool is under load.

The reversing switch can be used to reverse the rotation of the socket. The rotation should only be altered when the motor is OFF and the socket is at complete standstill.

To use the tool in 'forward' rotation, slide the switch to letter R indicating right hand rotation (clockwise). To 'reverse' the rotation of the socket slide the switch to the letter 'L' indicating left hand rotation (anticlockwise).

BASIC TECHNIQUE

TO FASTEN: Start the fastener by hand into its threaded counterpart, then using the correct type and size of socket securely mounted onto the tool slide the socket onto the nut or bolt head. Hold securely with both hands and squeeze the trigger switch. The impact socket will turn the fastener and impacting will begin once the fastener encounters resistance.



Know Your Symbols

HSS have created clear Icons to inform the hirer of their responsibilities towards the safe use of hire equipment.

These are designed to reduce the amount of different safety information labels required for each product for hire.

General use PPE / Warning

Clearly marked minimum PPE will be visible on all equipment,



Correct PPE must be worn



HAV Hand Arm Vibration



Danger Rotating blade



Danger Hot exhaust



Danger Electric shock



Caution Abrasive Wheel



Caution Finger trap

Fuel and Supply Types



Pe
Petrol



Di
Diesel



2t
2 - Stroke Petrol



EI
Electric

Safe Procedures

All hirers must understand and respect the safe procedures of all equipment.

It is the responsibility of the hirer to maintain and return the equipment in a clean condition and good working order.



Ro
Read OPS Guide



Ou
Outdoor Use only



HI
Heavy Lifting



Cd
Check Oil daily



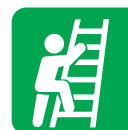
Cf
Check Fuel daily



Cw
Check Water daily



Bc
Battery Care



Sh
Safe Height Working



Swl
Refer to Data Plate



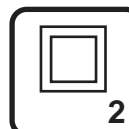
V
Check Power Voltage Data Plate

Electrical Safety

Safe wiring procedures.



Ea
Must be Earthed Class 1



Doi
Double Insulated Class 2



Enl
Earth Live Neutral Wire Coding

Return Responsibility

Charges apply to equipment returned dirty and damaged.



Cc
Cleaning Charge



Rc
Repair Charge