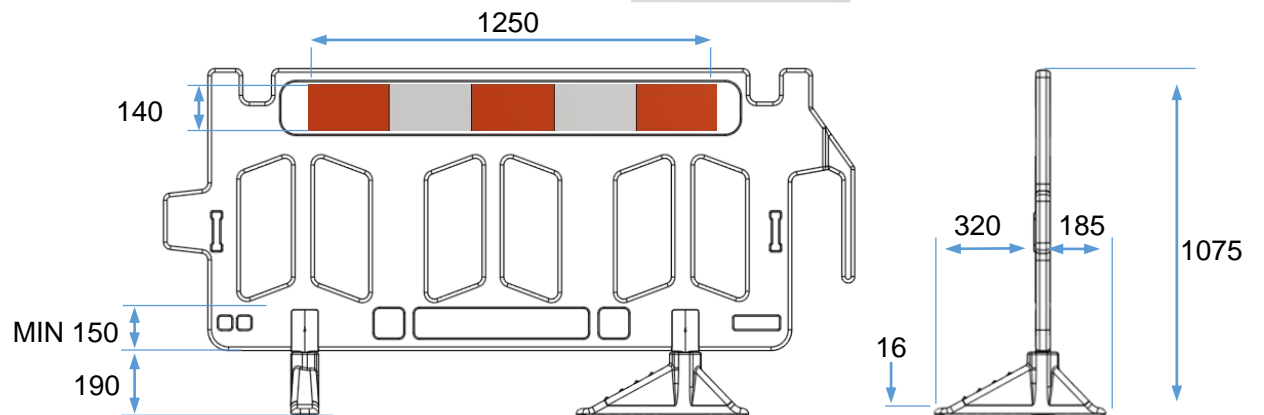


BARRIERS

FIRMUS

PRODUCT CODE	FIRMUSBARRIER2M
WL	2000MM
W	560MM
H	1075MM
WEIGHT (KG)	12
PER PALLET	50
PER FULL LOAD	600
MATERIAL	UVHDPE
COLOUR	ORANGE / CUSTOM



BALLAST REQUIREMENTS (BS 8442: 2006)

	CAT C WIND – 19mph	CAT B WIND – 39mph	CAT A WIND – 58mph
BARRIER FLAT	0 KG	40 KG	90 KG
BARRIER BOXED	0 KG	0 KG	60 KG

