

equipment's upright member. Swing the wing nut and bolt over the jaw and tighten down until securely held.

EQUIPMENT CARE

Never push the equipment beyond its design limits. If it will not do what you want with reasonable ease, assume you have the wrong equipment for the job. Contact your local HSS Hire Shop for advice.

Keep the equipment clean, you will find it less of a chore if you clean it regularly rather than wait until the end of the hire period.

When not in use, **store the equipment somewhere clean, dry and safe** from thieves.

FINISHING OFF

Dismantle the assembly, simply reverse the erection procedure and then give everything a final clean, ready for return to your local HSS Hire Shop.



... have you been trained

The law requires that personnel using this type of equipment in the workplace must be competent and qualified to do so.

Training is available at HSS Training
0845 766 7799

...any comments?

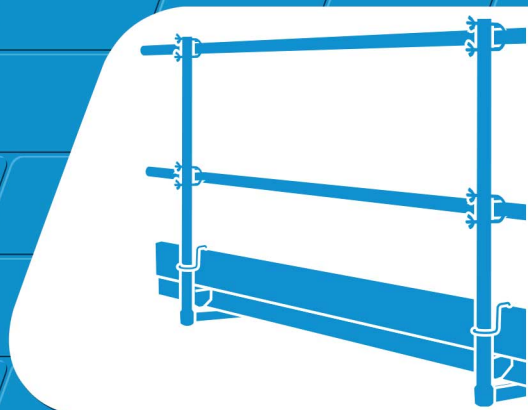
If you have any suggestions to enable us to improve the information within this guide please e-mail your comments or write to the Safety Guide Manager at the address below
e-mail: safety@hss.com

©HSS Hire Service Group Ltd 2020 No. 873/01

76 Talbot Road, Old Trafford, Manchester, M16 0PQ

www.hss.com

HSS Hire



Super Board Staging, Guardrails & Toe Boards

Designed to comply with the latest regulations, giving a platform width of 600mm. Guard rail systems to give added safety, legally required at and above 2m.



Code 83232 / 6 / 40 / 83324

GENERAL SAFETY

New Health and Safety regulations, introduced in early 2007, have placed certain limits on the maximum safe working height and the minimum platform width of a work platform.

For advice on the safety and suitability of this equipment contact your local HSS Hire Shop.

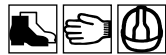
There is a serious risk of personal injury if you do not follow all instructions laid down in this guide.

This equipment has been designed to be used by an able bodied, competent adult who has read and understood these instructions. Anyone with either a temporary or permanent disability, should seek expert advice before using it.

Keep children, animals and bystanders away from the work area.



Never use this equipment if you are ill, feeling tired, or under the influence of alcohol or drugs.



Wear sensible clothing, gloves and comfortable footwear offering good grip. If necessary, wear a hard hat.



The Super Board Staging is very heavy. Never attempt to lift it on your own, always get help. Don't attempt to use access equipment unless you feel comfortable working at heights.

Never use access equipment unless there is someone within sight to summon help in the event of accident.

Never carry equipment while climbing unless you can do so leaving your hands free, by carrying the equipment in a shoulder bag. Climb first then haul the equipment up after you on a rope.

Never use access equipment near over-head or wall mounted power cables and similar hazards.

Check the equipment's condition before use. If it show signs of damage or excessive wear return it to your local HSS Hire Shop for replacement.

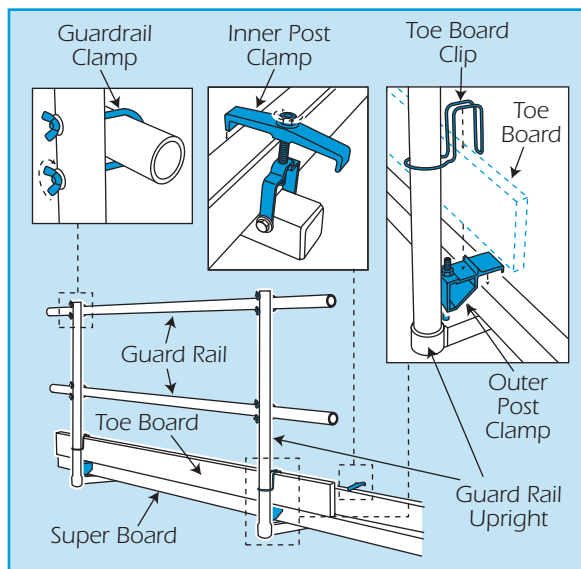
Never use the equipment in very windy or blustery conditions.

The max safe working load of all HSS Super Boards is 270KG evenly distributed. The total weight of the user and tools must not exceed this.

Never use chairs, boxes etc. to gain extra height.

GETTING STARTED

The Super Board can be used on trestles, tower scaffold and traditional tube and clip scaffold. For the purpose of this guide it is presumed that the hirer is using trestles to support the board. The instructions are the same regardless of the supporting equipment.



Always set up the equipment on a firm, level, and non-slip surface. On soft ground, stand the trestle on boards to stop it sinking in.

Place the Super Board on the trestle at the height required, ensuring that it is placed centrally on the rungs. Have an able-bodied assistant to help lift the Super Board into position.

Ensure the Super Board rests securely on the trestles, with both ends extending at least 300mm beyond the rungs.

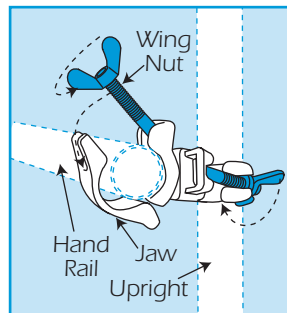
GUARDRAILS...

Guardrails should always be used at a platform height of 2 metres and above.

Use the safety ties provided to secure the Super Board to its trestles.

Clamp the Guard-rail uprights to the Super Board (see illustration), not more than 2.4m apart. Ensuring that the bolts are fully tightened.

Clamp the rails to the uprights, one to the top and one midway, ensuring their ends do not extend more than 300mm beyond the outer uprights.



Finally, clip the toe-boards to the bottoms of the uprights, so they face in towards the Super Board.

If using HANDRAIL COUPLERS...

Loosen both wing nuts and open the couplers two jaws, close the jaws around the hand rail and the support

Know Your Symbols

HSS have created clear Icons to inform the hirer of their responsibilities towards the safe use of hire equipment.

These are designed to reduce the amount of different safety information labels required for each product for hire.

General use PPE / Warning

Clearly marked minimum PPE will be visible on all equipment,



Correct PPE must be worn



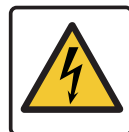
HAV Hand Arm Vibration



Danger Rotating blade



Danger Hot exhaust



Danger Electric shock



Caution Abrasive Wheel



Caution Finger trap

Fuel and Supply Types



Pe
Petrol



Di
Diesel



2t
2 - Stroke Petrol



EI
Electric

Safe Procedures

All hirers must understand and respect the safe procedures of all equipment.

It is the responsibility of the hirer to maintain and return the equipment in a clean condition and good working order.



Ro
Read OPS Guide



Ou
Outdoor Use only



HI
Heavy Lifting



Cd
Check Oil daily



Cf
Check Fuel daily



Cw
Check Water daily



Bc
Battery Care



Sh
Safe Height Working



Swl
Refer to Data Plate



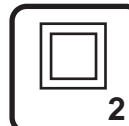
V
Check Power Voltage Data Plate

Electrical Safety

Safe wiring procedures.



Ea
Must be Earthed Class 1



Doi
Double Insulated Class 2



Enl
Earth Live Neutral Wire Coding

Return Responsibility

Charges apply to equipment returned dirty and damaged.



Cc
Cleaning Charge



Rc
Repair Charge