

**Fork Extensions.**

If the load is greater in length than the forks, extensions must be used.

The extensions simply slide onto the existing forks and are held in place with the lock pins provided, (see illustration).

The load should be evenly distributed over the fork area and must not exceed the unit's safe working load (SWL) as stated in the SWL Chart. The length of the forks will alter the SWL and the weight to fork length is clearly stated in the chart. Measure from the back to the centre of the load.

Load Capacity Chart				
	460mm	610mm	810mm	1070mm
Model	SAFE WORKING LOAD			
SL10	454Kg	454Kg	295Kg	181Kg
SL15	363Kg	363Kg	295Kg	227Kg
SL25	295Kg	204Kg	159Kg	110Kg

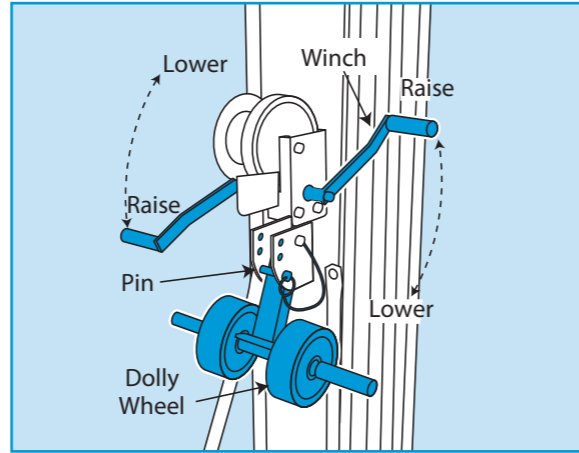
**BASIC TECHNIQUES**

What ever attachment used ensure the load is secured to the forks/attachment **DO NOT** presume that the load will keep itself in place.

To raise the load turn the winch backward and to lower turn the winch forward. The winch is designed to operate 'silently' and will automatically engage a brake mechanism as necessary.

There is no need to make alterations for lifting or lowering simply turn the winch in the direction you require. Always position your-self so you can control

the stacker while staying clear of the sus-pended load. Take your time and don't overdo it. You are more likely to have an accident if you are tired or rushing.



**EQUIPMENT CARE**

Never push the equipment beyond its design limits. If it will not do what you want with reasonable ease and speed, assume you have the wrong equipment for the job. Contact HSS Hire for advice.

Keep the equipment clean - you will find this less of a chore if you clean it regularly, rather than wait until the end of the hire period.

When not in use, store the equipment somewhere clean, dry and safe.

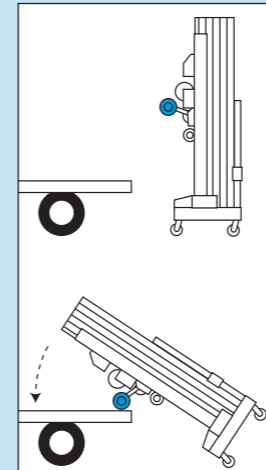
**FINISHING OFF**

Gently lower the load and then remove it from the forks/attachments, then detach the forks or any attachment used.

If the fork assembly has been inverted, reposition in the normal way then engage the transport lock hook.

Set the dolly wheel in the upper position and fold the unit up by reversing the instruction in 'GETTING STARTED'. Give the stacker a final clean up ready for return to HSS Hire.

**LOADING ONTO A FLAT BED VEHICLE**



This unit can be loaded onto a flat bed vehicle with the minimum of effort.

Wheel the unit to the rear of the vehicle, tilt the unit back until the dolly wheels are resting on the bed. With help, lift the base of the unit and slide it onto the vehicle.

Note that the hold down bar MUST be engaged or the forks will slide back and forth, causing damage to the unit. Ensure the unit is securely tied to the vehicle before driving off.



**... have you been trained**

The law requires that personnel using this type of equipment in the workplace must be competent and qualified to do so. Training is available at HSS Training 0845 766 7799

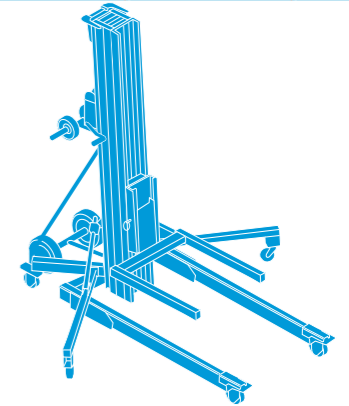
**...any comments?**

If you have any suggestions to enable us to improve the information within this guide please e-mail your comments or write to the Safety Guide Manager at the address below e-mail: safety@hss.com

©HSS Hire Service Group Ltd 2012 No. LS017/03  
Group Office: 25 Willow Lane, Mitcham, Surrey CR4 4TS  
Web Site: <http://www.hss.com>

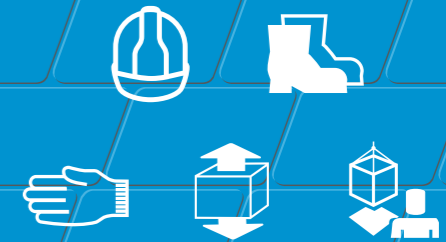
LS017/03

Operating & Safety Guide LS017/03



**Manual Lifter Stacker**

A versatile heavy duty manually operated stacker



Code 70107/09/15/41/42/45/46

## GENERAL SAFETY

For advice on the safety and suitability of this equipment contact HSS Hire for advice.


There is a serious risk of personal injury if you do not follow all instructions laid down in this guide.


The hirer has a responsibility to ensure that all necessary risk assessments have been completed prior to the use of this equipment.


This equipment should only be used by an operator who has been deemed competent to do so by his/her employer.

This equipment is designed to be used by an able bodied, competent adult who has read and understood these instructions. Anyone with either a temporary or permanent disability should seek expert advice before using it.

Keep children, animals and bystanders away from the work area. Cordon off a NO GO area using cones and either barriers or tape available to hire from HSS.

 **Never use this equipment if you are ill, feeling tired, or under the influence of alcohol or drugs.**

 **Wear practical, protective clothing, gloves, footwear and a protective hard hat.** Avoid loose garments and jewellery that could catch in moving parts, tie back long hair.

 **Use this equipment for vertical lifts only and use on a level area able to take the combined weight of the load and the equipment.**

 **Ensure the load is balanced and stable and that personnel stand clear of the raised load.**

**Make sure you know how to operate this equipment safely and are aware of its limitations before you use it.**

You are also responsible for the safety of any person in the work area.

**Make sure that anyone in the immediate work area is warned of what you are doing.**

**Never allow anyone under a raised load or in a position where they are at risk if the load shifts.**

**Never use the stacker near overhead power lines or similar hazards. Never use the stacker in windy conditions.**

**Be aware of the raised load when close to ceilings or other overhead obstructions.**

## SAFETY WARNING

**This equipment MUST NOT be used to carry personnel or loose loads**

Use this stacker only on a smooth floor that is able to bear its weight and its load.

Never exceed the stackers safe working. Refer to the SWL chart in this guide. Please note that **the SWL is reduced if fork extensions are used**, refer to the second chart (Load Capacity Chart) in this guide for the SWL of fork extensions and boom attachment.

HSS Code	Model	SWL	Maximum Lift
70107	SLA10	454Kg	3.0M
70109	SLA15	363Kg	4.6M
70115	SLA25	295Kg	7.6M

**Do not use this equipment to raise items that are longer than the forks.** Ensure the load has a flat base or if not, is either attached to a suitable pallet or specially designed attachment.

**Check the condition of the equipment before use.** If it shows signs of damage or excessive wear, return it HSS Hire.

## GETTING STARTED

**Wheel the unit to the area where it is required,** the base castors freely rotate but the rear set can be locked in a forward position for better control if required. To lock the rear base castors, pull the catch pins out and rotate 90 degrees then release, once the pins have located in the castletions they will hold the castors in position.

**Most adjustable or removable parts on this equipment are held in position with retaining pins.** These pins **MUST** always be fully engaged when in use. To disengage a pin simply pull it out, to re-engage, simply release.

**Park the unit on firm, level ground and ensure that it will be deployed onto a firm footing.**

**DO NOT use on slopes, soft ground or where there is a risk of subsiding.**

**Lower the dolly wheel assembly** by removing its pin and swinging it down, then refit the pin in a lower position.

**Remove the leg retaining pins from both front legs and swing the legs down to the floor, locking in place with the retaining pins.**

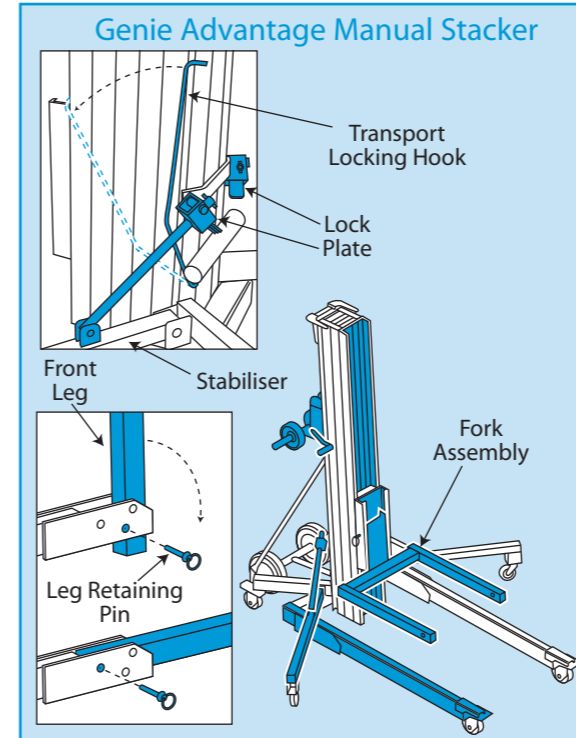
**If using the SLA25 model lower the 2 stabilisers,** they are both held captive by a spring loaded lock plate. **To release the lock, press and hold the plate while you lower the stabiliser, once the stabiliser is in position, release the plate to lock them in position.**

**The stacker should now be ready to use.** However double-check that all the retaining pins are correctly replaced and all legs (and stabilisers) are correctly deployed before the stacker is used.

Next **disengage the hold down bar,** simply lower fork assembly by turning the winch backwards. First pull then swing the transport locking hook clear, repositioning it to the rear of the 1st column (see illustration).

If necessary the **fork assembly can be inverted to attain a greater height of lift,** but be aware that in the higher position, there is no rear support and the load will require additional securing.

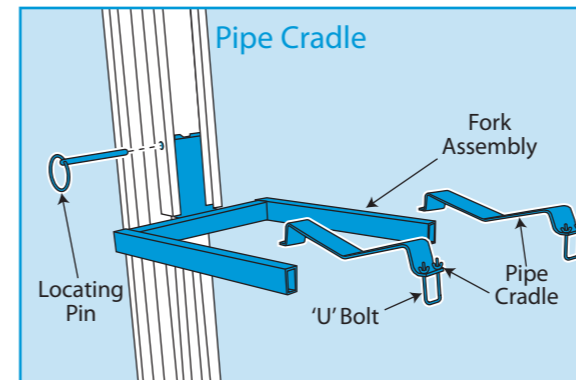
To invert, **support the fork assembly and remove the locating pin, then slide the assembly down until clear.** Invert the assembly and reinsert from the top, then **replace the locating pin.**



## ATTACHMENTS

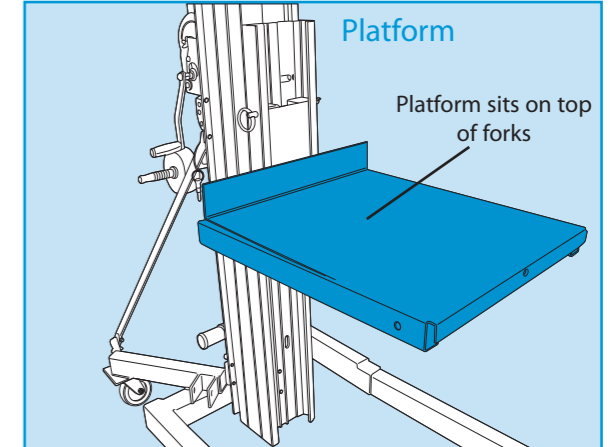
If you are unsure about the fitting or safe use of any of these attachments, contact HSS for advice.

The following attachments are fitted to the existing forks.



**Pipe Cradle..**

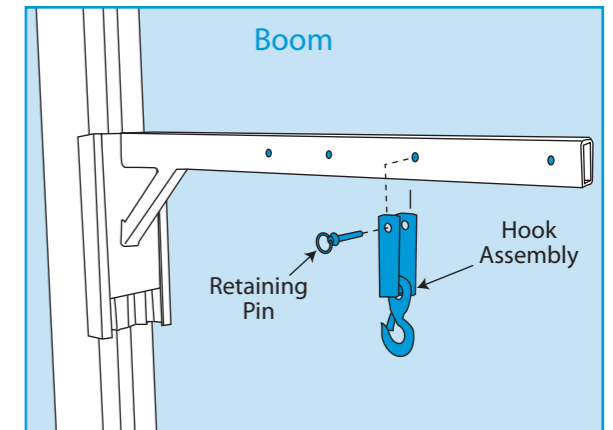
This adapter is attached to the existing forks using the 'U' bolts and wing nuts supplied (see illustration). Any load **MUST** be secured by suitable straps.



**Load Platform.**

Platform is secured via rear lip to existing forks. Any load **MUST** be secured by suitable straps. **DO NOT** use this platform as a personnel lift.

The following attachments replace the existing forks. **Support the fork assembly and remove the locating pin. Slide the assembly down until clear. Insert the attachment assembly align the holes and reinsert the locating pin.**



**Boom.**

Ensure you do not exceed the boom's maximum SWL. The SWL will alter depending on the hook's position. (see Load Capacity Chart). Measure from the back to the centre of the load.

To move the hook, support the hook assembly and remove the retaining pin. Line the hook assembly with the position required and reinsert the pin ensuring it is fully and securely located.

# Know Your Symbols

HSS have created clear Icons to inform the hirer of their responsibilities towards the safe use of hire equipment.

These are designed to reduce the amount of different safety information labels required for each product for hire.

## General use PPE / Warning

Clearly marked minimum PPE will be visible on all equipment,



Correct PPE must be worn



HAV Hand Arm Vibration



Danger Rotating blade



Danger Hot exhaust



Danger Electric shock



Caution Abrasive Wheel



Caution Finger trap

## Fuel and Supply Types



Pe Petrol



Di Diesel



2t 2-Stroke Petrol



EI Electric

## Safe Procedures

All hirers must understand and respect the safe procedures of all equipment.

It is the responsibility of the hirer to maintain and return the equipment in a clean condition and good working order.



Ro Read OPS Guide



Ou Outdoor Use only



Hi Heavy Lifting



Cd Check Oil daily



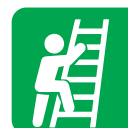
Cf Check Fuel daily



Cw Check Water daily



Bc Battery Care



Sh Safe Height Working



Swl Refer to Data Plate



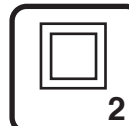
V Check Power Voltage Data Plate

## Electrical Safety

Safe wiring procedures.



Ea Must be Earthed Class 1



Doi Double Insulated Class 2



Enl Earth Live Neutral Wire Coding

## Return Responsibility

Charges apply to equipment returned dirty and damaged.



Cc Cleaning Charge



Rc Repair Charge