

BASIC TECHNIQUES

PAPER STRIPPING POINTERS

Before stripping vinyls, washables and painted wall coverings, use a perforator to pierce the surface so the steam can get through to the adhesive.

The more you soften the wallpaper, the easier it is to scrape off so move the concentrator plate slowly enough for the steam to do its work.

Tackle the surface a few square metres at a time. If the wall covering does not scrape off easily, repeat the steam treatment until it does.

Avoid scraping too hard, even on stubborn patches. You could easily damage the wall. You can then wash off or sand down any tiny flecks of wall covering.

Use a Perforator ...

Ensure that the spiked roller (and rear rollers where fitted) is in contact with the surface of the paper.

Run the roller back and forth over the wall covering, applying just enough pressure to pierce the surface - too much pressure will damage the wall.

Using the Wallpaper Stripper...

Hold the concentrator plate flat against the wall and move it across the surface slowly enough to let the steam do its work. Once soaked enough, move the steam plate well away and simply use a scraper to remove the paper.

The unit has a platform for access to the top of a normal height wall. Only stand on the centre of the platform and DO NOT over reach (the maximum weight must not exceed 18 stone).

If the steam pressure drops, make sure your hands are dry then turn the stripper OFF and isolate it from the power supply.

Allow the unit to cool down as described in GETTING STARTED.

Refill the water tank with fresh clean water - a tank full normally lasts between 100 and 190 minutes depending on model.

When refilling, wear thick gloves and open the filler cap as described in GETTING STARTED.

EQUIPMENT CARE

Never use the equipment except for its intended purpose, as a device for the removal of wall coverings. If it will not do what you want with reasonable ease and speed, assume you have the wrong equipment for the job. Contact your local HSS Hire Shop for advice.

Keep the equipment clean - you will find this less of a chore if you clean it regularly, rather than wait until the end of the hire period.

Cleaning is easiest when the unit has cooled but when any scraps of paper stuck to the unit are still wet. Simply wipe over with a damp cloth.

When not in use, store the equipment somewhere clean, dry and safe from thieves. Protect this equipment from frost and freezing conditions.

FINISHING OFF

If using a Perforator...

Thoroughly wash the spiked roller, using a stiff brush to remove any paper trapped on the spikes

Wallpaper Stripper...

Move the ON/OFF switch to the OFF position, isolate the unit from the power supply and leave it to cool. Wipe down the unit and concentrator plate with a damp cloth then, once everything is completely cold, empty the water tank and leave the cap off.

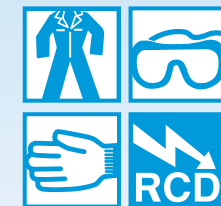
Finally, neatly coil the power supply cable and steam delivery hose then refit the concentrator plate ready for return to your local HSS Hire Shop.

HSS Hire Shops



Electric Wallpaper Stripper & Perforator

Electric Wallpaper strippers make light work of stripping even stubborn paper. Perforators for preparing wall-coverings for stripping.



...any comments?

If you have any suggestions to enable us to improve the information within this guide please fax your comments or write to the Product Manager at the address below
Fax: 020 8687 5001

©HSS Hire Service Group Plc 2002 No. 680/03

Group Office: 25 Willow Lane, Mitcham, Surrey CR4 4TS

Web Site: <http://www.hss.com>

Code 61120 / 61131 / 61132

GENERAL SAFETY

For advice on the safety and suitability of this equipment contact your local HSS Hire Shop.


There is a serious risk of personal injury if you do not follow all instructions laid down in this guide.


The hirer has a responsibility to ensure that all necessary risk assessments have been completed prior to the use of this equipment.


This equipment should only be used by an operator who has been deemed competent to do so by his/her employer.

This equipment should only be used by an able bodied, competent adult who has read and understood these instructions. Anyone with either a temporary or permanent disability, should seek expert advice before using it.

Keep children, animals and bystanders away from the work area. Cordon off a NO GO area using either cones, barriers or tape, available for hire from your local HSS Hire Shop.

 Never use this equipment if you are ill, feeling tired, or under the influence of alcohol or drugs.

 Safety goggles MUST be worn by everyone in the work area.

 Wear practical, protective clothing, gloves and overalls. Avoid loose garments and jewellery that could get in the way. Tie back long hair.

Never lift or move this equipment by its power supply cable or steam supply hose.

Always switch OFF and unplug the equipment when not in use, leaving it to cool before handling it. Never leave it switched ON and unattended.

Ensure the work area is well lit and ventilated, if in doubt, ask about lighting and ventilation equipment at your local HSS Hire Shop.

Make sure you know how to switch this machine OFF before you switch it ON in case you get into difficulty.

Make sure that everyone in the work area is aware of what you are doing.

Do not leave the perforator on the floor, some one may step or kneel on it and be seriously injured.

To avoid possible heat damage NEVER place the wallpaper stripper directly on a carpet or other sensitive surfaces that may be affected or damaged by water/steam.

Keep the work area tidy. Stripped paper can be slippery and may present a serious fire hazard.

Watch your footing. Take special care if working other than on firm, level ground. Above ground level, always work from a stable, purpose-made work platform such as a step-up or trestle.

CAUTION

Wallpaper stripper concentrator plates may collect scalding hot water.

Think twice before working with the plate held above shoulder height.

NEVER use the stripper on ceilings.

Check the condition of the equipment before use. If it shows signs of damage or excessive wear, return it to your local HSS Hire Shop.

ELECTRICAL SAFETY


Most HSS Wallpaper Strippers plug into a standard 230V 13amp earthed power socket. However, 110V models (with a round yellow plug) must be provided with a suitable 110V 16amp generated supply, or powered from the mains via a suitable 110V transformer.

If the equipment fails, or if its power supply cable or plug becomes damaged, return it. Never try to repair it yourself.

Only use suitable three core earthed extension leads to power this equipment.

Keep cables out of harm's way, and clear of the work area. Extension leads should be fully unwound and loosely coiled, away from the equipment. Never run them through water, over sharp edges or where they could trip someone.

Using electrical equipment in very damp or wet conditions can be dangerous.

 To reduce the risk of electric shock, always use a suitable RCD (Residual Current-Operated Device) available from your local HSS Hire Shop. Or, power the equipment from a mains circuit with a built in RCD.

Ensure the Wallpaper Stripper and the power socket are switched OFF before plugging into the power supply.

GETTING STARTED

PRE-USE PLASTER INSPECTION

You MUST check the condition of your plaster before starting work.

Steam can loosen weak, cracked and porous or poorly bonded plaster.

Steam will also damage plaster if the steam concentrator plate is held in one position for too long after the paper is soaked.

Weak plaster can normally be detected by tapping a few areas of wall.

A hollow sound indicates that you should proceed only with extreme care. Stop immediately if you hear a cracking sound or if plaster starts to break loose.

The steam stripper is safe for drywall/plaster board surfaces but whatever the material, it is always wise to check a small area before starting work properly.

It is essential to familiarise yourself with the Wallpaper Stripper before starting.

Before preparing the equipment for use prepare the work area..

Remove all furniture, pictures, lampshades etc, (if furniture must remain, move it into the centre of the room and cover with a suitable protective sheet).

Roll up and remove all carpet and underlay from the room.

Cover floorboards or floor overlay with a suitable protective sheet.

Open all windows to allow good ventilation and an exit for the steam.

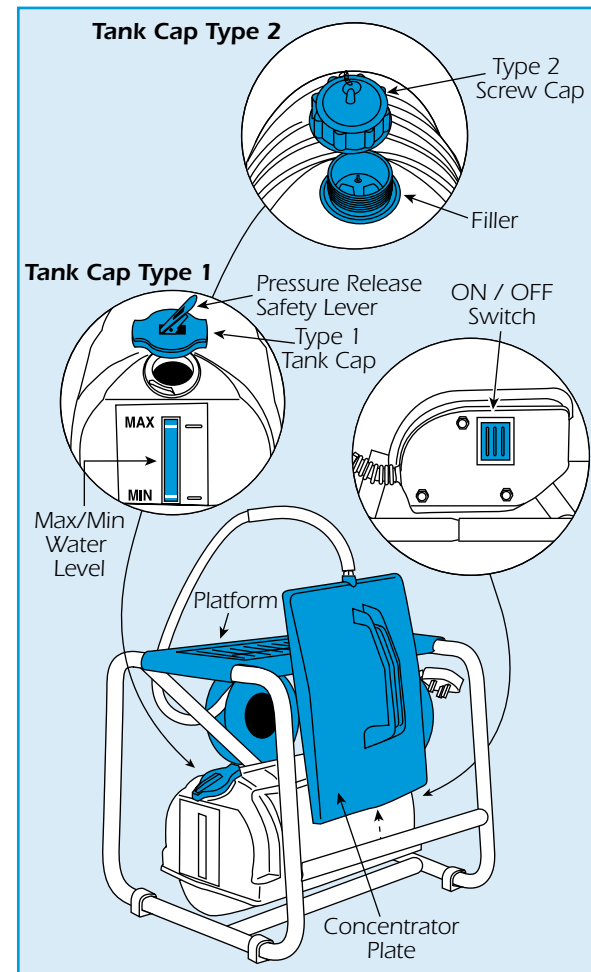
Tape plastic bags over light switches or power points.

If possible, isolate the power points from the power supply and plug the equipment into a power point in another room.

Place the stripper on a firm level surface and lift the concentrator plate from its retaining lugs. Uncoil the steam supply hose and the power supply cable.

There are two types of tank cap fitted to the HSS Wallpaper Stripper and each one is operated in a different way. Establish which type you have and follow the instructions as necessary.

NEVER REMOVE THE CAP UNLESS THE MACHINE HAS COOLED.



Risk Of Scalding!

Where the unit has run out of water during use, you must wait a minimum of 5 minutes before removing the cap. Where the unit has just been switched OFF but has a quantity of water remaining, you must wait a minimum of 20 minutes before re-moving the cap and emptying the contents.

If the cap is damaged or fits badly, STOP and contact your local HSS Hire Shop for advice.

Tank Cap type one...

This is fitted with a pressure release safety lever, which must be raised before you can remove the cap, this safeguards the user from possible scald injury.

To remove the cap, raise the safety lever and wait until any steam pressure has vented. Then turn the cap anti-clockwise (slight downward pressure may help) about 90 degrees until it can be lifted away.

When replacing the cap make sure it turned fully clockwise, and that the safety lever is lowered.

Tank Cap type two...

This is a simple screw fit design. To remove the cap, turn anti-clockwise half a turn and wait until any steam pressure has vented. Then turn the cap anticlockwise approximately a further four full rotations to fully remove.

To replace the cap, turn clockwise until tight and make sure it is fully secure.

Whichever type is fitted...

Fill the water tank with fresh clean water to the MAX mark (see diagram) then refit the tank cap as previously described.

Place the concentrator plate in a bucket. Plug the unit into its power supply and move the ON/OFF switch to ON (a small neon lamp will illuminate to confirm the unit is switched ON).

Allow the water to heat up, this will take between 20 and 30 minutes, DO NOT leave the unit unattended. When a steady flow of steam emerges from the plate, the stripper is ready for use.

Prior to the flow of steam there may be an emission of hot water. This is normal if the supply hose contains re-condensed steam from the previous use.

