

Switch the unit ON and adjust the speaker volume to suit (this can only be achieved when receiving a transmission).

To transmit simply press and hold the transmitter button and release when you have finished talking. Receiving a transmission is automatic.

RADIO PROCEDURE & PROTOCOL...

Warning

Follow the protocol of the Radio Communications Agency for radio procedure, and observe any local site laws.

DO NOT;
Shout, or use foul language over the airways.
Indulge in unnecessary conversation.

DO;
Use the term 'over' at the end of each transmission, this informs other users that your transmission is complete ready for them to transmit to you.

Use the term 'out' at the end if your transmission does not require a reply.

Think before you speak, keep to the point and ensure your statements are as brief as possible.

EQUIPMENT CARE

The battery will last approximately 8 hours in standby mode and 1.5 hours (in total) when transmitting/receiving. The battery can be charged either on its own or whilst connected to the radio.

To remove the battery from the radio, press the two battery catches down and pull the battery away from the rear of the radio.

To charge the battery, simply plug the transformer into the charger unit and insert the battery pack (see illustration), ensuring it is the correct way up.

Plug the transformer into a suitable power supply and switch ON. Charging is fully automatic and the battery should be fully charged in approximately two hours.

Charge the spare battery during the day and exchange with the units battery each morning.

Do not attempt to use the radio if the battery is damaged. Do not recharge damaged batteries.

Never push the equipment beyond its design limits. If it is unsuitable for the task you are performing DO NOT USE OR RELY ON IT. Contact your local HSS Safe and Sure Depot for advice.

Handle the equipment with care. Avoid dropping it, knocking it, or otherwise exposing it to damage.

Never expose the equipment to excessive moisture, dust or dangerous/corrosive chemicals.

Keep the equipment clean. You will find this less of a chore if you clean up regularly rather than wait until the end of the hire period.

When not in use, remember to switch OFF, then store the radio somewhere clean, dry and safe from thieves.

FINISHING OFF

Switch the radio OFF, disconnect the battery and unscrew the antenna. Collect the spare battery, transformer and charger together.

Place all parts in the carry case provided ready for return, to your local HSS Safe and Sure Depot.



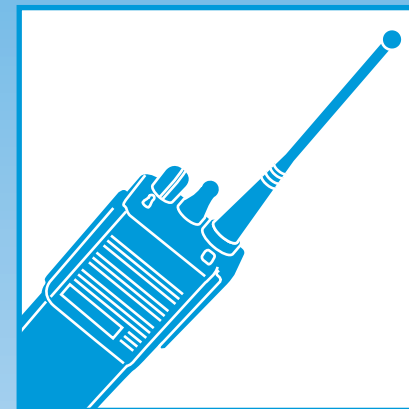
...any comments?

If you have any suggestions to enable us to improve the information within this guide please fax your comments or write to the Product Manager at the address below

Fax: 020 8687 5001

©HSS Hire Service Group Plc 2000 No. SS11/01
Group Office: 25 Willow Lane, Mitcham, Surrey CR4 4TS

Web Site: <http://www.hss.co.uk/safeandsure>



Intrinsically Safe Mobile Radio


A two way radio system for use in high risk or potentially explosive areas above ground.



GENERAL SAFETY

For advice on the safety and suitability of this equipment contact your local HSS Safe and Sure Depot.

This equipment should be used by an able bodied, competent adult who has read and understood these instructions. Anyone with either a temporary or permanent disability, should seek expert advice before using it.

 Never use this equipment if you are under the influence of alcohol or drugs.

Keep children, animals and bystanders away from the work area.

Wear sensible, suitably protective clothing and footwear plus any safety wear appropriate to the work in progress.

Make sure you know how to operate this equipment safely and are aware of its limitations before you use it.

The hirer has a responsibility to ensure that all necessary risk assessments have been completed prior to the use of this equipment.

This equipment should only be used by an operator who has been deemed competent to do so by his/her employer.

Remember that this equipment does not guarantee life protection but if used correctly it will help provide a safer environment to work in.

Make sure that anyone in the immediate work area is warned of what you are doing.

Check the condition of the equipment before use. If it shows signs of damage or excessive wear, return it to your local HSS Safe and Sure Depot.

CENELEC Approval

The Motorola GP900 radios are approved by the BASEEFA for use in hazardous environments.

The approval rating is EEx ib IIC T4 and the approval number is EX94C2258X.

The following points MUST be noted to maintain approval.

Only batteries supplied with the radio may be used in hazardous environments.

Batteries must only be charged in a NON HAZARDOUS ENVIRONMENT.

Do not clean battery terminals with solvents.


The protective cover supplied with the unit must be used at all times.

An antenna with a damaged end cap must not be used.

ELECTRICAL SAFETY

The battery charger's transformer is designed to plug straight into a standard 240V 13A power socket.

Using electrical equipment in very damp or wet conditions can be dangerous.

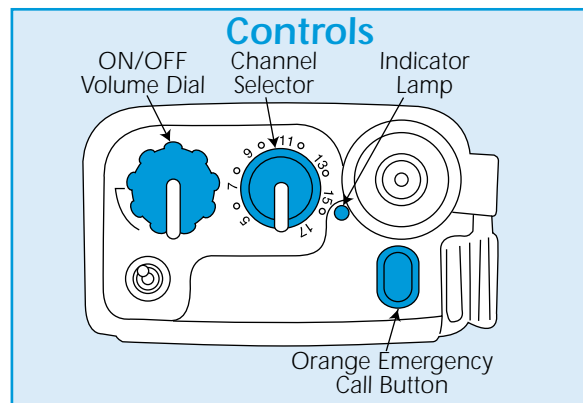
 To reduce the risk of electric shock, always use a suitable RCD (Residual Current-Operated Device) available from your local HSS Safe and Sure Depot.

GETTING STARTED

Unpack the radio from its carry case and attach the antenna (right hand thread, turn clockwise).

Fit a fully charged battery to the radio unit. To do this, insert the battery's bottom tabs into the slots on the base of the radio, then press the top of the battery into the top of the radio until it clicks into position.

For information on how to recharge the battery, see 'EQUIPMENT CARE'.



Switch the radio ON by turning the ON/OFF/Volume dial clockwise. When first switched ON the radio will perform a self test to make sure it is working correctly.

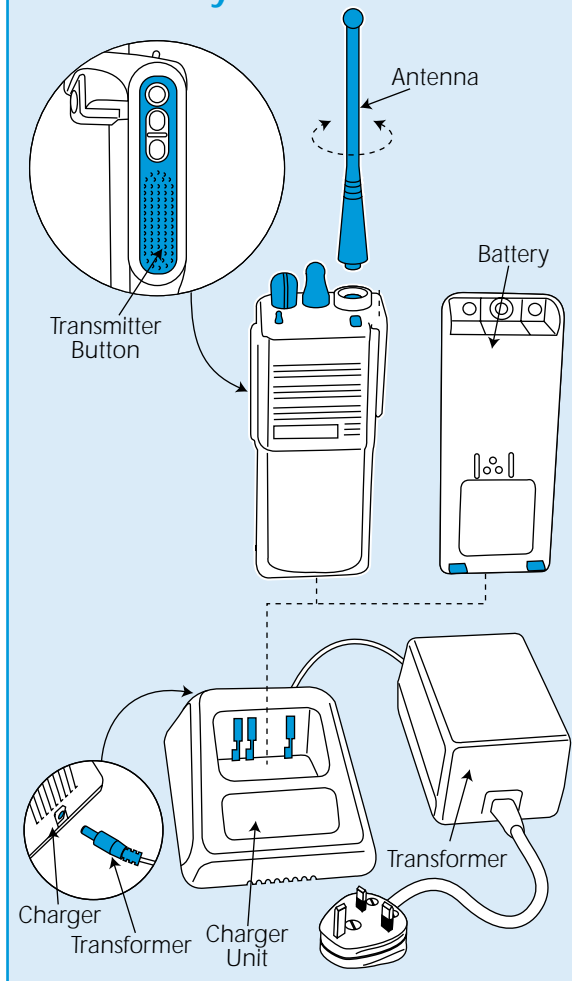
If the radio is working correctly you will hear a medium high pitch beep, if there is a fault, you will hear a long, low pitch beep.

If the unit proves faulty, DO NOT USE THE RADIO, contact your local HSS Safe and Sure Depot for advice.

Turn the channel selector to the channel number being used by all the radios in your group.

If the indicator lamp flashes red, the selected channel is being used by someone else and a different channel must be selected.

Intrinsically Safe Mobile Radio



BASIC TECHNIQUES

Emergency Call Mode

If a radio operator finds him/herself in an emergency situation, they can set their radio in 'emergency call mode'.

In this mode, their radio remains on 'open mic' and will continuously transmit to the other radio users in the group, for sixty seconds.

To activate the emergency call mode, press the orange emergency call button for a minimum of two seconds.

To deactivate the emergency call mode, simply switch OFF the transmitting radio.