

Take extra care in case the drum is part full as the liquid may move about and make it difficult to control.

Once at its destination the drum can be removed (simply reverse the instruction in 'GETTING STARTED').

You can keep the drum fitted to the trolley and, provided a tap has been fitted to the drum, remove liquid as required.

EQUIPMENT CARE

Never push the equipment beyond its design limits. If it will not do what you want with reasonable ease and speed, assume you have the wrong tool for the job. Contact your local HSS Hire Shop for advice.

Keep the equipment clean - you will find this less of a chore if you clean it regularly, rather than wait until the end of the hire period.

Never wheel the trolley over rough ground. It damages the equipment and could prove to be extremely dangerous.

When not in use, **store the equipment somewhere clean, dry and safe** from thieves.

FINISHING OFF

Sump Pallet...

Remove any drums, lift off the mesh and empty the sump of any remaining liquid. Give the mesh and base a thorough clean.

Drum Dispensing Trolley...

Set the trolley upright, unsecure the ratchet straps and remove the drum. Empty the sump then thoroughly clean the trolley.

Please note that HSS will not accept the return of this equipment unless it has been completely emptied and thoroughly cleaned.

Whichever you are using, collect everything together ready for return, to your local HSS Hire Shop.



...any comments?

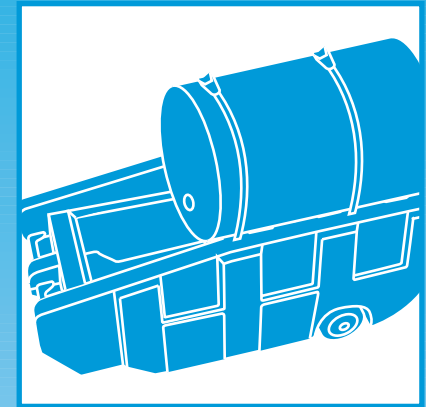
If you have any suggestions to enable us to improve the information within this guide please fax your comments or write to the Product Manager at the address below

Fax: 020 8687 5001

©HSS Hire Service Group Plc 2000 No. 494/01
Group Office: 25 Willow Lane, Mitcham, Surrey CR4 4TS

Web Site: <http://www.hss.co.uk>

HSS Hire Shops



Sump Pallet and Drum Dispensing Trolley

A pallet designed for use with oil drums with an under sump for the control of spillages. A trolley for the transportation of oil and fuel drums on site.



Code 60132/60134

GENERAL SAFETY

For advice on the safety and suitability of this equipment contact your local HSS Hire Shop.


There is a serious risk of personal injury if you do not follow all instructions laid down in this guide.

The hirer has a responsibility to ensure that all necessary risk assessments have been completed prior to the use of this equipment.



This equipment should only be used by an operator who has been deemed competent to do so by his/her employer.

This equipment should be used by an able bodied, competent adult who has read and understood these instructions. Anyone with either a temporary or permanent disability, should seek expert advice before using it.

Keep children, animals and bystanders away from the work area. Cordon off a NO GO area using cones and either barriers or tape, available for hire from your local HSS Hire Shop.

 Never use this equipment if you are ill, feeling tired, or under the influence of alcohol or drugs.

 Safety goggles MUST be worn by everyone in the work area.

  Wear practical, protective clothing, gloves and footwear. Avoid loose garments and jewellery that could catch in moving parts, tie back long hair.

Duty of Care

The hirer is required by law to dispose of any waste liquids in a responsible and environmentally friendly manner.

The method of disposal will depend upon the type of liquid and whether it is contaminated.

For advice on the correct method of disposal contact your local environmental agency.

Transfer pumps are available for hire from your local HSS Hire Shop.

Ensure the work area is well lit and ventilated, if in doubt, ask about lighting and ventilation equipment at your local HSS Hire Shop.

Do not site the sump pallet or trolley near sources of ignition.

This equipment is capable of transporting or supporting heavy oil drums, always get help lifting items onto the pallet or trolley if it is heavier than 25Kg.

Never exceed the maximum safe working load for the equipment.

Never leave a loaded trolley unattended.

Use the equipment only on firm, level ground. When moving loads keep to a sensible pace. If you go too fast, or if you try to wheel a heavy load down a slope, it could run away with you.

Make sure that anyone in the immediate work area is warned of what you are doing.

Check the condition of the equipment before use. If it shows signs of damage or excessive wear, return it to your local HSS Hire Shop.

GETTING STARTED

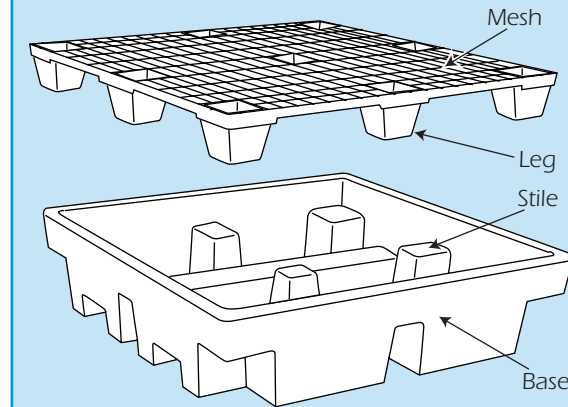
Sump Pallet...

Position the base on a firm level surface capable of supporting the weight of the sump and up to four full oil drums.

Make sure that there is suitable fire fighting equipment available if something should go wrong.

Next place the mesh on to the base with its legs facing down (see illustration). Ensure it is also supported by the stiles on the base.

Sump Pallet

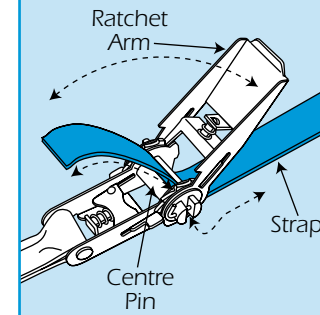


Drum Dispensing Trolley...

To attach a drum, set the trolley upright and offer it up to the drum. Make sure that the outlet tap (if fitted) is turned towards the trolley so that it can be used when the trolley is laid down.

Secure the drum to the trolley using the two ratchet straps provided. DO NOT attempt to use the trolley unless BOTH straps are correctly secured around the drum.

Ratchet Strap

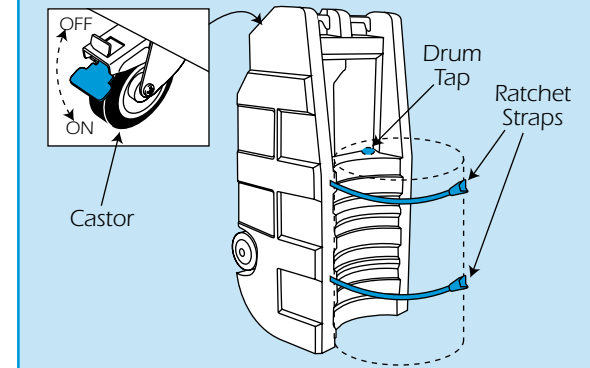


To secure the straps, open the ratchet arm, insert the loose end strap through the slot in the centre pin and pull through any excess.

Next move the ratchet arm back and forth to tighten the strap around the drum.

Once secure and before moving the trolley, set the castor lock to ON.

Drum Dispensing Trolley



BASIC TECHNIQUES

Sump Pallet...

Load the pallet with care, do not drop a drum onto the mesh as it may break.

Always store drums in an upright position, never lay them on their side.

Regularly check the fluid level in the sump and empty it once it is one third full. Always dispose of the liquid in a responsible and environmentally friendly manner, see General Safety.

Drum Dispensing Trolley...

Once loaded, tilt the trolley back and lower on to its rear castor. Set the castor brake to OFF and move the trolley to where the drum is needed.

