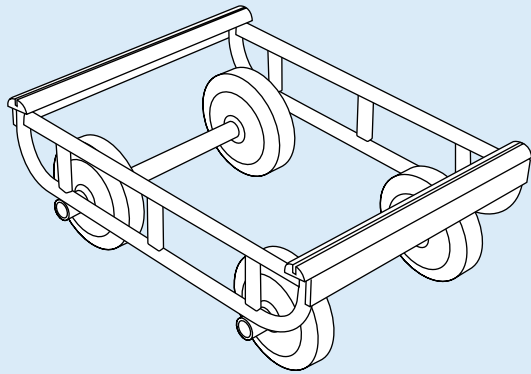


If the truck is fitted with drop sides, make sure the sides are up before moving the load.

When moving loads keep to a sensible pace. If you go too fast, or if you try to wheel a heavy load down a slope, it could run away with you.

The low loader model is fitted with twin steering axles, do not move loads until you are familiar with its turning circle.

### Piano Skates

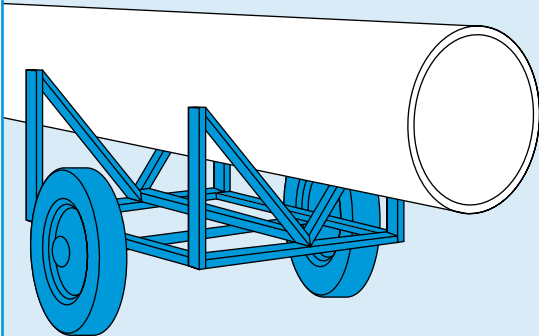


When using piano skates make sure the load is moved slowly as the surface area of the skates is considerably smaller than that of the load.

Avoid sharp turns and steep cambers which will make the unit unstable with the possibility of damaging the load and/or injuring the user.

Take your time and don't overdo it. You are more likely to have an accident if you are tired or rushing.

### Pipe Skate



## EQUIPMENT CARE

Never push the equipment beyond its design limits. If it will not do what you want with reasonable ease and speed, assume you have the wrong equipment for the job. Contact your local HSS Lift & Shift Depot for advice.

Keep the equipment clean, you will find this less of a chore if you clean it regularly, rather than wait until the end of the hire period.

Never wheel this type of equipment over rough ground unless specifically designed to do so. It damages the equipment and could prove to be extremely dangerous.

When not in use, store the equipment somewhere clean, dry and safe from thieves and unauthorised users.

## FINISHING OFF

Carefully remove the load from the truck.

Give the truck a final clean up ready for return, to your local HSS Lift & Shift Depot.



### ...any comments?

If you have any suggestions to enable us to improve the information within this guide please fax your comments or write to the Product Manager at the address below

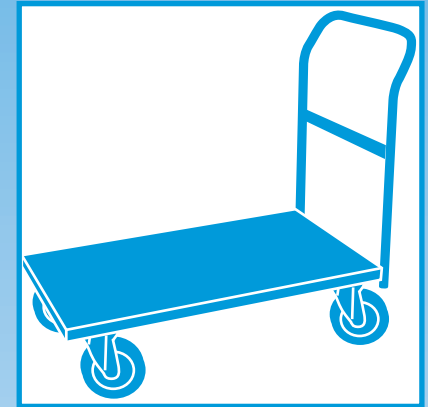
Fax: 020 8687 5001

©HSS Hire Service Group Plc 2001 No. LS027/02

Group Office: 25 Willow Lane, Mitcham, Surrey CR4 4TS

Web Site: <http://www.hss.com/liftandshift>

# HSS Lift & Shift



## Trucks

A wide selection of platform, box and turntable trucks to suit most applications.



## GENERAL SAFETY

For advice on the safety and suitability of this equipment contact your local HSS Lift & Shift Depot.


There is a serious risk of personal injury if you do not follow all instructions laid down in this guide.




The hirer has a responsibility to ensure that all necessary risk assessments have been completed prior to the use of this equipment.


This equipment should only be used by an operator who has been deemed competent to do so by his/her employer.


This equipment is designed to be used by an able bodied, competent adult who has read and understood these instructions. Anyone with either a temporary or permanent disability should seek expert advice before using it.

Keep children, animals and bystanders away from the work area. Cordon off a NO GO area using cones and either barriers or tape, available for hire from your local HSS Lift & Shift Depot.

 Never use this equipment if you are ill, feeling tired, or under the influence of alcohol or drugs.

   Wear practical, protective clothing, gloves and footwear. Avoid loose garments and jewellery that could catch in moving parts, tie back long hair.

 This equipment is capable of transporting heavy objects, always get help lifting items onto the truck if it is heavier than 25Kg.

 Ensure the load is balanced, stable and that personnel stand clear of the raised load.

Make sure you know how to operate this equipment safely and are aware of its limitations before you use it.

Make sure that anyone in the immediate work area is warned of what you are doing.

### Warning

This equipment **MUST NOT** be used to carry personnel.

Never leave a unit unattended.

Be aware of the trucks position when stationary, there is a risk of the unit wandering off if parked on sloping ground.

This type of equipment is designed to be moved by hand, under no circumstances may it be towed behind a vehicle.

Ensure the work area is well lit and ventilated, if in doubt, ask about lighting and fume extraction equipment at your local HSS Lift & Shift Depot.

Check the condition of the equipment before use. If it shows signs of damage or excessive wear, return it to your local HSS Lift & Shift Depot.

Never exceed the equipment's safe working load.

### Safe Working Loads

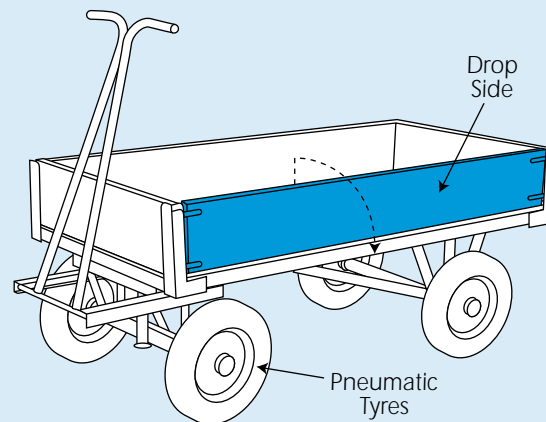
Code	Description	SWL
70470	Pneumatic Tyre	815kg
70470	Solid Tyre	1000kg
70471	Solid Tyre	2000kg
70473	Low Loader	1500kg
70474	Dropside	1000kg
70476	Box	350kg
70478	Platform	350kg
70486	Pipe Skate	500kg
70487	Piano Skates	200kg

## GETTING STARTED

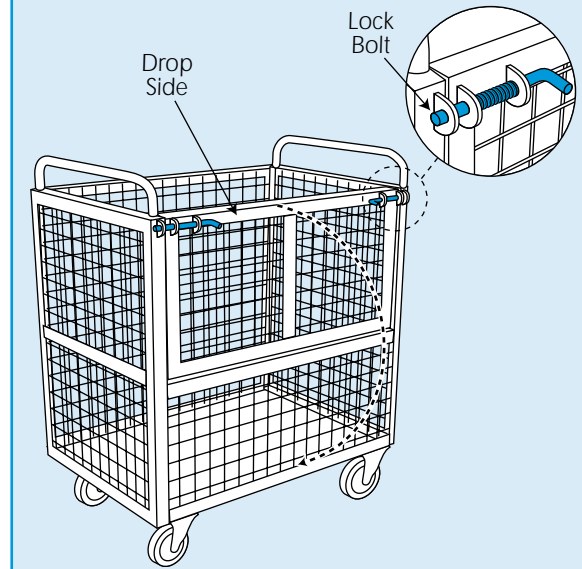
All HSS trucks are designed for single man operation, and most, for use on smooth level surfaces.

The pneumatic model however, can be used on slightly rougher surfaces and is ideal for loads that may be susceptible to vibration damage. Before loading, check that the tyres are correctly inflated.

### Turntable Truck



### Box Truck



## BASIC TECHNIQUES

**DO NOT** use on slopes, soft ground or where there is a risk of the unit subsiding.

When loading and unloading, make sure that the weight is evenly distributed or the load may overbalance.

Place the load as close to the centre of the bed as possible across the width and length.

### Platform Truck

